

C
10.5"
267



Hannay Reels®
The reel leader.

LP Gas Hose Reels

| Home Delivery Trucks | Dispensing Systems | Fueling Vehicles |
| Filling Stationary and Portable Cylinders |



Family owned and operated since 1933

CONTENTS

Hannay hose reels come in all sizes and capacities.

LP Gas Hose Reels	I.D. Hose Sizes	Page
Hannay Reels Sales Policies		3
Manual or Power Rewind Reels		
Series PB/DPB	1" – 1-1/2"	4-5
Power Rewind Reels		
Series PBGMB/PBGMT	1" – 1-1/2"	6-7
Power Rewind Liquid Reel with Manual Rewind Vapor Reel		
Series PBM	Liquid 1" – 1-1/2" Vapor 1/2" – 1"	8
Spring Rewind Reels		
Series SPBN800/SPB800	3/4" or 1"	9
Accessories		10
Hannay Reels Spec Worksheet		11



Only one reel sets the standard in the propane delivery industry.

Our reels are created specifically for fuel delivery applications – never retrofitted to the job – so you can expect superior fit and function. We offer thousands of standard reels – or can create custom designs – that are built strong to last long, require minimal maintenance, and provide a lifetime of value.

Often outlasting the vehicles they're on, our reels provide safer operation with:

- Non-sparking ratchet assemblies
- Explosion-proof motors
- Suspended IV reels that allow access on either side of the vehicle

All Hannay LP Gas reels are handcrafted and available in aluminum, stainless steel, e-coated, and painted steel for superior protection against contamination and corrosion in sensitive or caustic environments.

Uses:

- Home delivery vehicles
- Dispensing systems
- Fueling vehicles
- Filling stationary and portable cylinders

Note to Designers and Engineers

The reels shown in this catalog are the standard of the industry.

These models reflect various installation and performance requirements.

The high quality of our **standard steel construction** is only the beginning.

Hannay Reels offers any size configuration to fit a defined space, and we construct many models of reels of **aluminum** or **stainless steel**. Specifically, we use 5000 and 6000 Series aluminum and 304 stainless steel in the manufacture of frames, discs, drums, and internals as well as other structural components. This type of construction eliminates the need for maintenance repainting and part replacement due to rust or corrosion.

Please consult factory on any fuel handling questions.

For the many accessories and components available on our standard reel models such as roller guides, switches, brakes and locks, etc., please refer to our Ordering & Accessory Guide H-0415-OA.

Mounting Hole Sizes

N Series Reels	7/16" wide x 7/8" long slot running front to back
Pressed Frame Reels and Channel Framed Reels	7/16" wide x 7/8" long slot running left to right

Hannay Reels **Sales Policies**

Hannay Reels 3-Year Limited Warranty

Products manufactured by Hannay Reels, Inc. ("Hannay") are warranted for 3 years from date of shipment when properly installed, maintained, and operated in accordance with Hannay instructions. In no event will Hannay have a warranty obligation for normal wear and tear, or for products that have, at Hannay's determination, been subjected to accident, abuse, misapplication, improper installation or improper maintenance. Common examples of normal wear and tear would include paint finish, swivel joint seal wear, and switch or motor brush wear.

Hannay makes no warranties, express or implied, other than those included in this warranty statement, and we disclaim any implied warrant of merchantability or fitness for any particular purpose. Hannay will not be liable for any consequential, incidental, or indirect damages from any cause whatsoever.

Failure to use a flexible inlet connection on any live hose reel will void the swivel joint warranty. Failure to use a properly sized circuit breaker with any electric rewind motor will void the electric motor warranty. Failure to use a filter and lubricator on any air rewind motor will void the air motor warranty. Failure to follow all procedures outlined in the Safety Guidelines document will void the warranty.

Components not manufactured by Hannay will be subject to the original manufacturers' warranties. Examples of such components include: hose and cable, motors, speed controls, and switches, swivel joints and seals, slip ring and brush assemblies.

Equipment which proves to be defective upon our inspection will be replaced free of charge, including freight to the customer. Our responsibility ceases upon delivery to any common carrier and we do not, unless previously instructed, insure shipments beyond point of delivery to such carrier. **No material will be accepted for return without a return goods authorization (RGA).** This warranty extends to the replacement or repair of the reel or part (no labor).

Hannay reserves the right to modify or alter materials, dimensions, design, and construction when necessary to improve the performance of the reel and/or accessories, or to meet delivery requirements.

Notice on Reel Finish

Standard finish on Hannay reels is a high performance modified acrylic enamel paint. Standard color is metallic graphite. Other colors available, please consult factory.

Most of the major components on standard reels are e-coated prior to receiving final topcoat paint finish. This combination of e-coat and enamel topcoat will meet the finish requirements of most customer applications and environments.

In cases where requirements cannot be met with the standard finish, Hannay Reels can coat any model reel with an automotive primer, allowing application of final coating at your facility.

Alternatively, Hannay Reels can provide a quote for matching a customer-provided paint specification. For further information, please contact your Hannay Reels sales engineer and a special paint request form will be sent to you.

For environments where no paint finish is suitable, we offer both aluminum and stainless steel (304 grade) construction on most reel models.

Return Goods Policy

All Hannay reels are built to order. These orders are typically placed into production within 1 business day of receipt. Once production begins, it may not be possible to cancel the order.

To prevent returns because the wrong reels or parts were ordered, please use the Hannay Reels Spec Worksheet (either online or from our Order Accessory Guide) when specifying reels. Be sure to include any size, weight, pressure and/or material compatibility limitations for the application.

In the event that an item does need to be returned for credit, repair or replacement, prior approval must be obtained from Hannay Reels. Upon your request, we will send a Return Goods

Authorization (RGA) form. A signed copy of this form must accompany the material when returned to us, with the RGA number clearly showing on the outside of the box—a label is provided to you that you can print and attach. No product will be accepted for return or credit without an authorized RGA number.

All material must be returned prepaid, unless otherwise noted on our RGA. No return will be accepted that has been damaged due to improper return packaging, tampered with or altered from its original condition. Our restocking and handling fee is a minimum of 25% for standard catalog reels and parts. Custom reels specially built to customer specifications cannot be returned for any reason.

Series **PB/HDDPB**

To handle single 1" through 1-1/2" I.D. hose.

- Standard hose reel is steel construction, painted graphite. Aluminum or stainless steel construction is available.
- "SB" prefix denotes polished aluminum construction, offering both reduced weight and superior corrosion resistance compared to standard steel construction.
- Series PB are explosion-proof reels.
- Series HDDPB reel is direct hydraulic drive, eliminating the use of chain and sprockets.
- Choose gear-driven crank rewind, #40 chain and sprocket drive powered by an electric, hydraulic or compressed air motor or direct drive hydraulic rewind motor.
- Crank rewind reels and direct drive reels supplied with pinion brake.
- Power rewind reels (chain and sprocket driven) supplied with a strap brake. Other brake and locking devices may be specified.
- Standard inlet: 90° ball bearing swivel joint, 1-1/2" female NPT threads.
- Standard outlet: flanged riser, 1" female NPT threads. Standard inlet, outlet riser, and hub assembly are steel.
- Other sizes and/or threads can be furnished and must be specified.
- Pressures to 350 psi (24 bar).
- Temperatures from -40°F to +350°F (-40°C to +177°C).
- Consult factory for other pressures and temperatures.
- Chain guard available upon request, must be specified.
- Rollers and roller mounting brackets are accessory items. Specify roller position.



Series PB
Standard configuration shown
with Electric Rewind (E)



Series HDDPB
Direct drive hydraulic (HDD) rewind
shown with optional Assembly C rollers

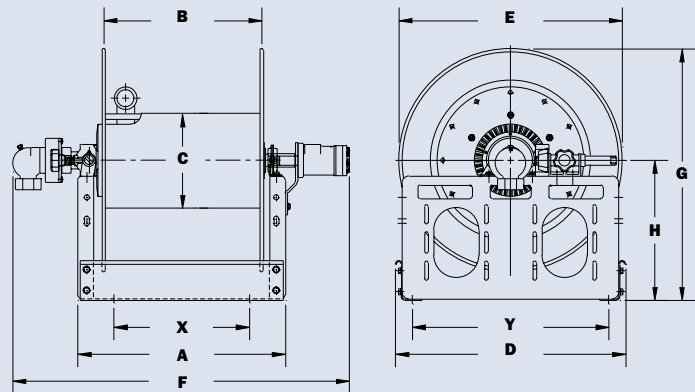
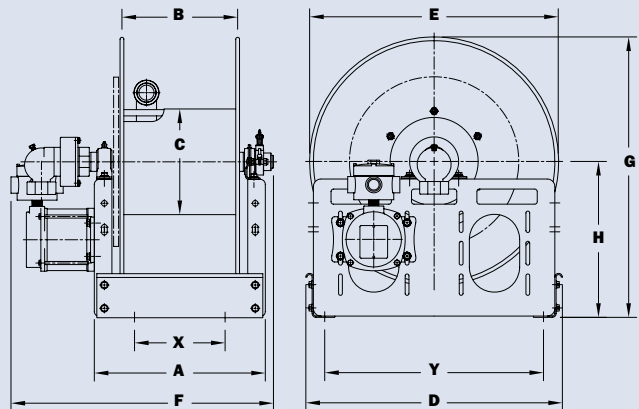
Series PB/HDDPB

**PARTS DRAWING: ALUM. CONST. PRESSED FRAME – ISO 202; ALUM. SQUARE TUBE FRAME – ISO 204;
STEEL CONST. PRESSED FRAME – ISO 18**

Model Number For Power Rewind see Note 4	Hose Capacity of Reel feet m			Approx. Weight Power Rewind lb. kg				Reel Dimensions*** in. mm										
	I.D. in. mm	1 25	1-1/2 38	Steel		Alum.		A	B	C	D	E	F POWER	F DIRECT DRIVE HYD	G	H	X	Y
		O.D. in. mm	1.5 38	2.16 55	NET	SHIP	NET											
PB24-23-24	125 38	-	-	142 64	184 83	119 54	160 72	21 533	15.5 394	10.5 267	20.5 521	22.75 578	29.25 743	35.12 892	23.5 597	12.12 308	13 330	16.75 425
PB30-23-24	150 46	-	-	155 70	197 89	124 56	165 75	27.5 699	22 559	10.5 267	20.5 521	22.75 578	35.75 908	41.62 1057	23.5 597	12.12 308	19.5 495	16.75 425
PB26-25-26	150 46	-	-	155 70	197 89	137 62	178 81	23 584	17.5 445	10.5 267	25.5 648	24.75 629	31 787	37 940	27.88 708	15.5 394	15 381	21.75 552
PB28-25-26	200 61	-	-	163 74	205 93	157 71	198 90	25.5 648	20 508	10.5 267	25.5 648	24.75 629	33.75 857	39.62 1006	27.88 708	15.5 394	17.5 445	21.75 552
PB22-30-31	250 76	-	-	158 71	208 94	130 59	175 79	19 483	13.5 343	10.5 267	25.5 648	28.75 730	27.25 692	33.12 841	29.88 759	15.5 394	11 279	21.75 552
PB18-33-34	200 61	-	-	157 71	207 94	146 66	194 89	14.5 368	9.5 241	10.5 267	31.5 800	31.75 806	23.75 603	29.12 740	33.62 854	17.75 451	7 178	27.75 705
PB24-25-26-15.5	-	50 15	-	160 64	202 91	133 60	174 79	21 533	15.5 394	15.5 394	25.5 648	24.75 629	29.25 743	-	27.88 708	15.5 394	13 330	21.75 552
PB28-25-26-15.5	-	75 23	-	173 78	215 97	159 72	200 91	25.5 648	20 508	15.5 394	25.5 648	24.75 629	33.75 857	-	27.88 708	15.5 394	17.5 445	21.75 552
PB26-30-31-15.5	-	100 30	-	173 78	215 97	140 63	185 84	23 584	17.5 445	15.5 394	25.5 648	28.75 730	31.25 794	-	29.88 759	15.5 394	15 381	21.75 552

Notes:

- Specifications subject to change.
- Upon request, reels can be supplied with drum lengths other than shown and with disc sizes in other diameters.
- Dimensions shown for reels up to and including 30-31 disc size reflect pressed frames. Reel sizes ending in (33-34) are built with rollform/square tubing construction.
- When ordering power rewind models, prefix model number with:
 - A** = Air Rewind—Supplied with control valve and 25" air hose.
 - E** = Explosion-Proof Electric Rewind (2/3 HP) – Supplied with explosion-proof switch, solenoid, and junction box.
 - HD** = Hydraulic Rewind—Not supplied with control valve.
 - HDD** = Direct Drive Hydraulic Rewind—Not supplied with control valve.
 (When ordering **A, HD & HDD** power rewind reels deduct 20 lbs. from ship weight).
- Be sure to check dimensions and weights prior to ordering.**
NOTICE: A flexible connector must be used between the inlet pipe and the inlet swivel joint.
 ***X, Y indicate mounting holes.



Series **PBGMB/PBGMT**

To handle single 1" or 1-1/2" I.D. hose.

- Standard hose reel is steel construction, painted graphite. Aluminum or stainless steel construction is available.
- "SB" prefix denotes polished aluminum construction, offering both reduced weight and superior corrosion resistance compared to standard steel construction.

Both Series

- Choose #40 chain and sprocket drive powered by an electric, hydraulic or compressed air motor or direct drive hydraulic rewind motor.
- Auxiliary crank rewind standard on Series HDDPB reels. Available on Series PB power rewind reels, at extra cost.
- Direct drive hydraulic rewind reels supplied with pinion brake. Electric powered rewind reels supplied with a strap brake.
- Other brake and locking devices may be specified. (See Ordering & Accessory Guide.)
- Standard inlet: 90° ball bearing swivel joint, 1-1/2" female NPT threads.
- Standard outlet: flanged riser, 1" female NPT threads.
- Standard inlet, outlet riser, hub assembly are steel.
- Other sizes and/or threads can be furnished and must be specified.
- Pressures to 350 psi (24 bar).
- Temperatures from -40°F to +350°F (-40°C to +177°C).
- Consult factory for other pressures and temperatures.
- Chain guard available upon request, must be specified.
- Refer to page 10 for more information on Guidemaster® shown.

Series PBGMB

- The Assembly B bottom wind roller is standard.

Optional Guidemaster® EPS-1 Switch Cover



Hannay Part No. 9917.0201. This cover is designed to protect against moisture and other contaminants and has a durable lanyard to keep the cover securely attached to the switch body.



Series EPBGM with Bottom-Mounted Guidemaster®
Electric Rewind (E) shown



Series SBEPBGM with Bottom-Mounted Guidemaster®
Polished Aluminum and Electric Rewind (E) shown

Series PBGMT/SBPBGMT with Guidemaster® Mounted on Top

Prefix becomes "PBGMT" (steel construction) or "SBPBGMT" (aluminum construction).

See chart on Page 7.



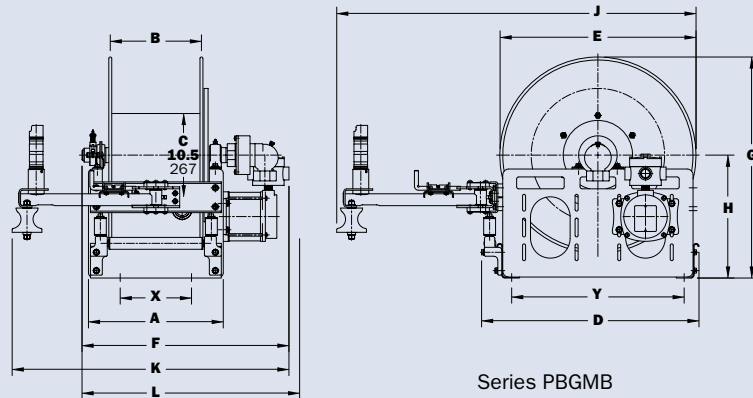
Series **PBGMB/PBGMT**

PARTS DRAWING: BOTH SERIES PBGMB and SERIES PBGMT – ISO 202, 204 and ISO 195, 200

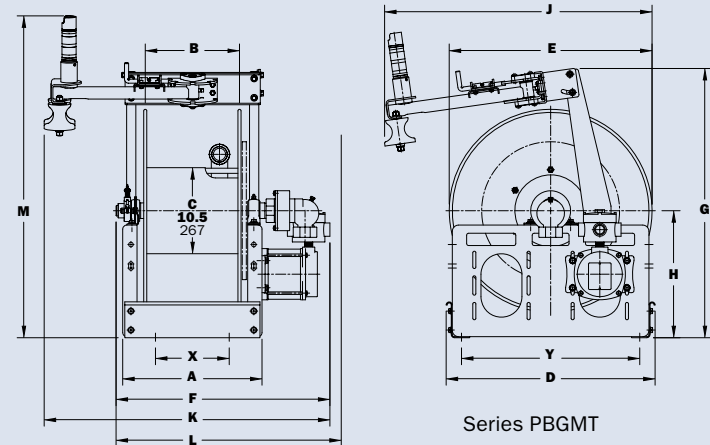
Model Number For Power Rewind see Note 3	Hose Capacity of Reel feet m		Approx. Weight Power Rewind lb. kg		Reel Dimensions*** in. mm													
	I.D. in. mm	1 25	NET	SHIP	A	B	D	E	F	F	G	H	J	K	L	M	X	Y
	O.D. in. mm	1.5 38			POWER	DIRECT DRIVE HYD												
PBGMB 24-23-24	125	160	185		21	15.5	20.5	22.75	29.25	35.12	23.5	12.12	49	36.75	30	-	13	16.75
	38	73	84		533	394	521	578	743	892	597	308	1245	933	762	-	330	425
PBGMB 30-23-24	150	170	200		27.5	22	20.5	22.75	35.75	41.62	23.5	12.12	49	36.75	36.75	-	19.5	16.75
	46	77	91		699	559	521	578	908	1057	597	308	1245	933	933	-	495	425
PBGMB 26-25-26	150	185	215		23	17.5	25.5	24.75	31.25	37.12	27.88	15.5	47.75	37.75	31	-	15	21.75
	46	84	98		584	445	648	629	794	943	708	394	1213	959	787	-	381	552
PBGMB 28-25-26	200	191	221		25.5	20	25.5	24.75	33.75	39.62	27.88	15.5	47.75	39	34.75	-	17.5	21.75
	61	87	100		648	508	648	629	857	1006	708	394	1213	991	883	-	445	552
PBGMB 22-30-31	250	188	238		19	13.5	25.5	28.75	27.25	33.12	29.88	15.5	52.25	35.75	29	-	11	21.75
	76	85	108		483	343	648	730	692	841	759	394	1327	908	737	-	279	552
PBGMB 18-33-34	200	175	225		14.5	9.5	31.5	31.75	23.75	29.12	33.62	17.75	56.75	33.5	26.75	-	7	27.75
	61	79	102		368	241	800	806	603	740	854	451	1441	851	679	-	178	705
PBGMT 24-23-24	125	168	193		21	15.5	20.5	22.75	29.25	35.12	29.5	12.12	33	36.75	30	31.5	13	16.75
	38	76	88		533	394	521	578	743	892	749	308	838	933	762	800	330	425
PBGMT 30-23-24	150	178	208		27.5	22	20.5	22.75	35.75	41.62	29.5	12.12	33	40.62	36.75	31.5	19.5	16.75
	46	81	94		699	559	521	578	908	1057	749	308	838	1032	933	800	495	425
PBGMT 26-25-26	150	193	223		23	17.5	25.5	24.75	31.25	37.12	32.88	15.5	33.25	37.75	31	37.25	15	21.75
	46	88	101		584	445	648	629	794	943	835	394	845	959	787	946	381	552
PBGMT 28-25-26	200	181	211		25.5	20	25.5	24.75	33.75	39.62	33	15.5	34	39	34.75	35	17.5	21.75
	61	82	96		648	508	648	629	857	1006	838	394	864	991	883	889	445	552
PBGMT 22-30-31	250	196	246		19	13.5	25.5	28.75	27.25	33.12	36.13	15.5	35.5	35.75	29	42.5	11	21.75
	76	88	112		483	343	648	730	692	841	918	394	902	908	737	1080	279	552
PBGMT 18-33-34	200	183	233		14.5	9.5	31.5	31.75	23.75	29.12	38.375	17.75	37	38.38	26.38	44.75	7	27.75
	61	83	106		368	241	800	806	603	740	975	451	940	975	670	1137	178	705

Notes:

- Specifications subject to change.
 - Upon request, reels can be supplied with drum lengths other than shown and with disc sizes in other diameters.
 - When ordering power rewind models, prefix model number with:
 - E** = Explosion-Proof Electric Rewind (2/3 HP)–Supplied with explosion-proof switch, solenoid, and junction box.
 - HDD** = Direct Drive Hydraulic Rewind–Not supplied with control valve. When ordering **HDD** power rewind reels deduct 20 lbs. from ship weight).
 - Air or hydraulic chain driven rewind available, please consult factory.
 - Dimension "J" is maximum, with Guidemaster® in operating position. Dimension "K" is maximum, with Guidemaster® in traveling position opposite rewind motor, as shown in dimensional drawing.
 - Dimension "L" is maximum, with Guidemaster® in traveling position on same side as rewind motor.
 - Guidemaster® weight is approximately 21 lbs. Guidemaster® is shipped as parts.
 - Be sure to check dimensions and weights prior to ordering.**
 - Consult factory for reels using 1-1/2" I.D. hose.
- NOTICE:** A flexible connector must be used between the inlet pipe and the inlet swivel joint.
- ***X, Y indicate mounting holes.



Series PBGMB



Series PBGMT

Series PBM

To handle 1" through 1-1/2" I.D. liquid hose and 1/2" through 1" I.D. vapor hose.

- Standard hose reel is steel construction, painted graphite. Aluminum or stainless steel construction is available.
- "SB" prefix denotes polished aluminum construction, offering both reduced weight and superior corrosion resistance compared to standard steel construction.
- **Liquid reel:** Standard inlet: 90° ball bearing swivel joint, 1-1/2" female NPT threads; Standard outlet: 1" female NPT threads flanged riser; and #40 chain and sprocket drive powered by an electric, hydraulic or compressed air motor; and gear-driven crank rewind.
- **Vapor reel:** Standard inlet: 90° ball bearing swivel joint, 1" female NPT threads; Standard outlet: 1" female NPT threads riser; and gear-driven crank rewind.
- Standard inlet, outlet riser, and hub assembly are steel. Other sizes and/or threads can be furnished and must be specified.
- Pressures to 350 psi (24 bar). Temperatures from -40°F to +350°F (-40°C to +177°C). Consult factory for other pressures and temperatures.
- Pinion shaft brake standard, other locking devices may be specified.
- Rollers and roller mounting brackets are accessory items. Specify roller position.
- Chain guard available upon request, must be specified.



Series PBM

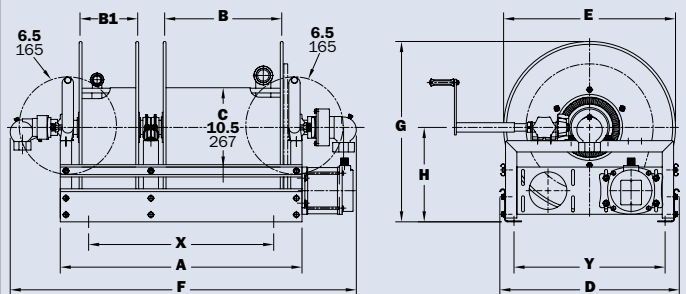
Top wind configuration shown with Gear Driven Crank Rewind Vapor Reel and Electric Rewind (E) Liquid Reel

PARTS DRAWING – ISO 123

Model Number For Power Rewind see Note 3	Hose Capacity of Reel feet m				Approx. Weight lb. kg		Reel Dimensions*** in. mm										
	I.D. in. mm	Liquid Reel		Vapor Reel		NET	SHIP	A	B	B1	D	E	F POWER	G	H	X	Y
		1 25	1/2 13	3/4 19	1 25												
PBM 24-16-23-24	125 38	175 53	80 24	75 23	173 78	218 99	32 813	15.5 394	7.5 191	23.75 603	23 584	46.25 1175	23.88 607	12.5 318	24.5 622	20 508	
PBM 30-16-23-24	150 46	175 53	80 24	75 23	274 124	319 145	38.5 978	22 559	7.5 191	23.75 603	23 584	52.75 1340	23.88 607	12.5 318	31 787	20 508	
PBM 28-16-25-26	200 61	225 69	100 30	75 23	279 127	324 147	36.5 927	20 508	7.5 191	25.5 648	24.75 629	50.75 1289	25.88 657	13.5 343	29 737	21.75 552	

Notes:

1. Specifications subject to change.
 2. Upon request, reels can be supplied with drum lengths other than shown and with disc sizes in other diameters.
 3. When ordering power rewind models, prefix model number with:
 - A** = Air Rewind—Supplied with control valve and 25" air hose.
 - E** = Explosion-Proof Electric Rewind (2/3 HP)—Supplied with explosion-proof switch, solenoid, and junction box.
 - HD** = Hydraulic Rewind—Not supplied with control valve.
 (When ordering **A & HD** power rewind reels deduct 20 lbs. from ship weight).
 4. **Be sure to check dimensions and weights prior to ordering.**
- NOTICE:** A flexible connector must be used between the inlet pipe and the inlet swivel joint.
- ***X, Y indicate mounting holes.



Series **SPBN800/SPB800**

To handle 3/4" or 1" I.D. hose.

- Standard hose reel is steel construction, painted graphite. Stainless steel construction is available.
- **SPB800 only:** Aluminum construction is also available. "SB" prefix denotes polished aluminum construction, offering both reduced weight and superior corrosion resistance compared to standard steel construction.
- Rollformed frame for heavy-duty applications must be specified.
- Non-sparking ratchet locks reel, and declutching arbor prevents damage from reverse winding.
- Standard inlet: 90° ball bearing swivel joint, 1" female NPT threads. Standard outlet: 1" female NPT threads. Other sizes and/or threads can be furnished and must be specified.
- Pressures to 350 psi (24 bar). Temperatures from -40°F to +350°F (-40°C to +177°C). Consult factory for other pressures and temperatures.
- Supplied 4-way roller assembly. Specify roller position.



Series SPBN800
Optional TR configuration shown



Series SPB800
Standard SR configuration shown

PARTS DRAWING: SERIES SPBN800 – ISO 81; SERIES SPB800 – ISO 42

Model Number	Hose Capacity of Reel feet m				Approx. Weight lb. kg		Roller Assy Supplied on Std. Models	Reel Dimensions*** in. mm									
	I.D. in. mm	1/2 13	3/4 19	1 25	NET	SHIP		A	B	C	D	E	F	G	H	X	Y
	O.D. in. mm	.94 24	1.25 33	1.5 40													
SPBN816-19-20-10.5J	35	25	15	75	98	N204	10	4	10.5	12	20.75	16.12	20	10.62	8	10	
	11	8	5	34	44		254	102	267	305	527	409	508	270	203	254	
SPBN816-23-24-10.5J	50	50	25	87	116	N204	10	4	10.5	12	24	16.12	24	12.62	8	10	
	15	15	8	39	53		254	102	267	305	610	409	610	321	203	254	
SPBN816-25-26-10.5B	65	60	35	96	131	N204	10	4	10.5	12	25.5	16.12	26	13.62	8	10	
	20	18	11	44	59		254	102	267	305	648	409	660	346	203	254	
SPBN818-25-26-10.5B	60	70	50	102	137	N206	12	6	10.5	12	25.5	18.12	26	13.62	10	10	
	18	21	15	46	62		305	152	267	305	648	460	660	346	254	254	
SPB816-19-20-10.5J	35	25	15	75	98	R204	9.25	4	10.5	20.5	18.75	16.88	19.75	10.38	4.5	14.75	
	11	8	5	34	44		235	102	267	521	476	429	502	264	114	375	
SPB816-23-24-10.5J	50	50	25	87	116	R204	9.25	4	10.5	24.5	22.75	16.88	23.88	12.5	4.5	20	
	15	15	8	39	53		235	102	267	622	578	429	607	318	114	508	
SPB816-25-26-10.5B	65	60	35	96	131	R204	9.25	4	10.5	26.25	24.75	16.88	25.88	13.5	4.5	21.75	
	20	18	11	44	59		235	102	267	667	629	429	657	343	114	552	
SPB818-25-26-10.5B	60	70	50	102	137	R206	11.25	6	10.5	26.25	24.75	18.88	25.88	13.5	6.5	21.75	
	15	15	8	39	53		286	152	267	667	629	480	657	343	165	552	
SPB816-30-31-15.5G	110	75	40	124	159	R204	9.25	4	15.5	30.5	28.75	16.88	31.38	17	4.5	25.25	
	34	23	12	56	72		235	102	394	775	730	429	797	432	114	614	
SPB820-25-26-10.5A	75	85	75	131	166	R308	13.25	8	10.5	27	24.75	21.62	25.88	13.5	8.5	21.75	
	23	26	23	59	75		337	203	267	686	629	549	657	343	216	552	
SPB820-30-31-15.5A	75	100	100	137	172	R308	13.25	8	15.5	30.5	28.75	21.62	31.38	17	8.5	25.25	
	23	30	30	62	78		337	203	394	775	730	549	797	432	216	641	

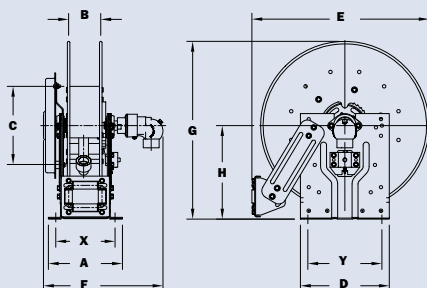
Notes:

1. Specifications subject to change.
2. Others sizes, from standard components, available on request.
3. For optional locations of joint and spring motor placement – consult factory.

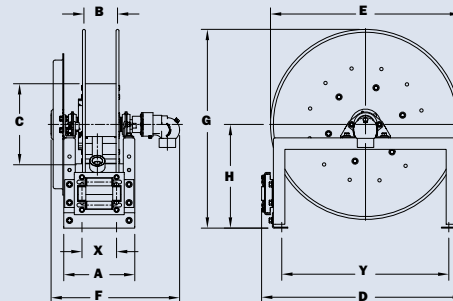
4. Be sure to check dimensions and weights prior to ordering.

NOTICE: A flexible connector must be used between the inlet pipe and the inlet swivel joint.
***X, Y indicate mounting holes.

Available Roller Positions



Series SPBN800 - Narrow Frame



Series SPB800 - Rollformed Frame

Accessories

• GM-X Guidemaster® • FH-3 Roller and Spool Assembly

GM-X Guidemaster®

Multiposition hose guide with explosion-proof rewind control

The Guidemaster® helps unwind and rewind hose faster, easier, and with less damage to the hose. Five positive locking positions let the operator pull the hose out and away from sharp corners of cabinet or deck. An explosion-proof, push-button switch in the Guidemaster® handle lets the operator control the rewind motor and guide the hose on the reel in neat, uniform coils.

Construction: Grade 303 SST welded main body with black powder coat finish, wear-resistant Zamak 3 (zinc alloy) rollers and bearings on the top and bottom of the yolk with dust caps to limit dust and dirt intrusion. Switch has Class 1, Division 1 (Groups C & D) classification.

The Guidemaster® can be ordered in 3 ways:

1. Guidemaster® only, supplied with 4 mounting bolts and ready to be attached to your mounting brackets.
2. Guidemaster® and brackets, includes steel mounting bracket, beveled spacers, and fasteners designed for your reel. Ready to install. Specify top- or bottom-wind.
3. Guidemaster® mounting brackets factory installed. Specify top- or bottom-wind.

To Order: For factory installation of mounting bracket, Guidemaster® should be ordered when you order the reel. When purchasing Guidemaster® for installation on your present reel, give the complete model number and serial number of your reel and the complete part number of the Guidemaster®.

Circuit breaker must be used with all DC electric motors.

Note: This Guidemaster® can be used with reels up to a maximum drum width (or B dimension) of 22". Operates with up to a 2.16" O.D. hose.



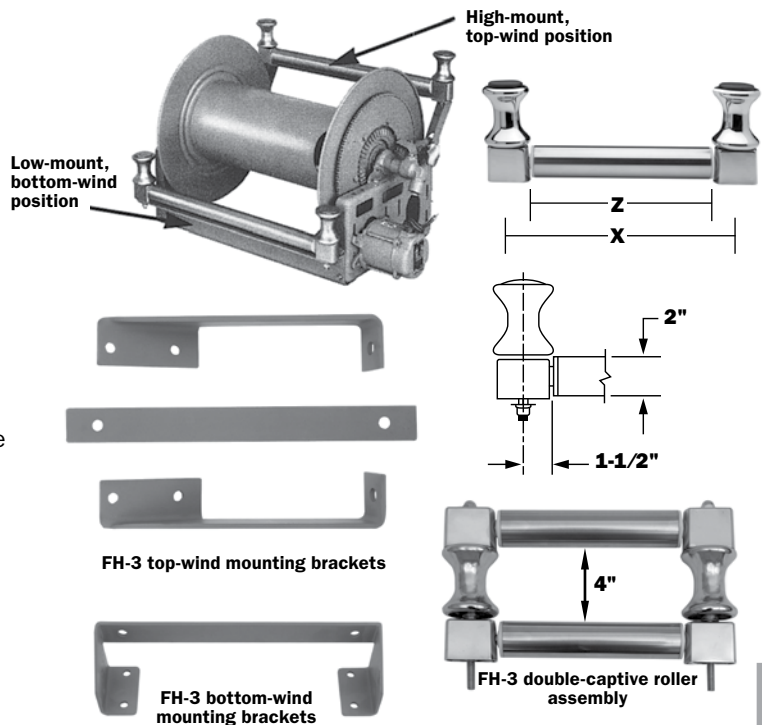
FH-3 Roller and Spool Assembly

Not recommended for hoses larger than 1-1/2" I.D.

Speeds handling and reduces hose wear. Buffed stainless steel rollers resist corrosion, pitting, and abrasion. Polished, chrome-plated spools and blocks add lasting beauty to your equipment. Delrin bearing surfaces assure quiet operation and minimum wear.

Assembly can be factory installed, when specified, or ordered for field installation on reels or other equipment.

To Order: For factory installation, specify FH-3 Assembly and indicate position on reel. As an accessory, specify FH-3 Assembly and give length of roller (Dimension Z), and distance between mounting holes (Dimension X). Mounting brackets are available.



Hose Reel **Spec Worksheet**

To specify Hannay reels, fill out this simple form and mail, fax or email it to your dealer.
Photocopy this page or download and print from hannay.com

1. Who is the reel for?

Contact		Date / /	
Company		Position	
Street Address			
City	State	Zip	Country
Phone ()	Fax ()	Email	

2. What is the reel for?

HOSE (check one): Storage only Live Single hose Live Dual hose

Inside diameter:	Hose length:	Bend radius:	Flat hose dimensions:
Outside diameter:	Hose weight:	Coupling spacing:	

Type of product handled live application (check one):

<input type="radio"/> Liquid (specify):	<input type="radio"/> Temperature:	<input type="radio"/> Oxygen/Acetylene:	<input type="radio"/> Other (specify):
<input type="radio"/> Gases (specify):	<input type="radio"/> Pressure:	<input type="radio"/> Hydraulic fluid (specify):	

Fluid path type (check one): Steel (standard) Aluminum Stainless Steel Other

Reel inlet type (check one): Swivel joint 90° (standard) Straight

Reel outlet type (riser): Size:

Thread (check one):	<input type="radio"/> National Pipe Thread (NPT)	<input type="radio"/> Joint Industry Committee (JIC)	<input type="radio"/> Other (specify):
	<input type="radio"/> National Standard Thread (NST)	<input type="radio"/> British Standard Pipe (BSP)	

Indicate your custom specifications

4. Specifying Location of Components

Optional Location of Components:
Location of the inlet, outlet riser, and rewind mechanism can be varied to meet your requirements and **must be specified on your order**. Unless otherwise specified, most reels will be shipped as **Right Top Rewind** with the inlet, outlet riser, and rewind mechanism on the operator's right.



RT - Right Top Rewind
Standard - Always look at your reel from this position to determine right hand or left hand.



RB - Right Bottom Rewind



LT - Left Top Rewind



LB - Left Bottom Rewind

Note: Use component location initials as suffix after model number (ie: EPB24-25-26 LT)

3. What features does the reel need? Check type of rewind:

MANUAL REWIND

Disc rewind (hand over hand) Gear-driven crank Direct crank (permanent or removable) Chain-driven crank

POWER REWIND

Spring Air Electric (voltage): Hydraulic

Type of installation (check one): Floor Wall Overhead Vehicle

Temperature Range: _____ Environment: _____

Accessories (if any): _____ Hose Stop: Yes No

Roller Assemblies: _____

Finish: Painted steel (standard) Aluminum Polished Unpolished Stainless steel Polished Unpolished

Check type of installation and roller position for spring reels:

<input type="radio"/> Drag Position SR	<input type="radio"/> Lift Position VR	<input type="radio"/> Stretch (no roller) Position TR	<input type="radio"/> Wall Mount Position TR	<input type="radio"/> Recovery (pick-up) (no roller)
--	--	---	--	--

Constant tension available on all roller positions

5. Please note size and/or weight limitations for your installation

SPECIFICATIONS

Depth: _____

Height: _____

Width: _____

Weight: _____

For custom applications not found in our catalogs, call the Inside Sales Group at 518-797-3791.

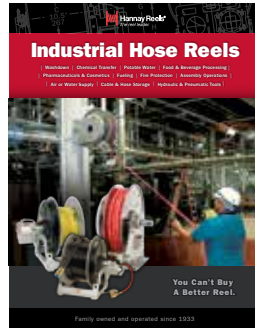
Find reels for every need.

Learn more about all of our reels, including specs, drawings, and even how to select the right reels and accessories for your industry.



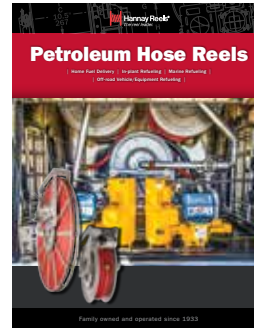
Ordering & Accessory Guide

- Selecting the right reel
- Reel components
- Available accessories
- How to spec and order reels and accessories
- Ordering options
- Hannay Reels policies



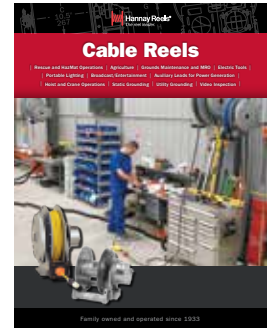
Industrial Hose Reels

- High pressure/low pressure reels
- Air/Lube/Grease reels
- Fueling
- Washdown/Power Wash
- Industrial Fire Protection
- Hydraulic/Pneumatic applications
- Hose Storage



Petroleum Reels

- Home fuel delivery
- in-plant refueling
- Marine refueling
- Work-truck fueling
- Inverted installations
- Single-wrap and multi-wrap reels



Cable Reels

- Electric Tools
- Crane operations
- Portable Lighting
- Live and storage reels
- Video/Broadcast
- Static and Utility grounding reels

View all our reel catalogs online at hannay.com



Family owned and operated since 1933, Hannay Reels is the world leader in both OEM and aftermarket applications. Hannay offers thousands of standard hose reel and cable reel models, as well as unmatched custom capabilities. We can easily and affordably customize a reel to meet your exact specifications – built to last, delivered fast. Additional catalogs are available through your local Hannay Reels dealer or online at hannay.com.



553 State Route 143 | Westerlo, New York 12193
Email: reels@hannay.com | hannay.com



All Hannay reels are constructed of quality heavy gauge steel (optional aluminum or stainless steel also available on most models).

