

C  
10.5"  
267



**Hannay Reels®**  
The reel leader.

# Aviation Reels

| Fueling | Washdown & Potable Water | Hangar Operations & Aircraft Maintenance |  
| Sensing | Static Grounding | Firefighting & Rescue | De-Icing |



Family owned and operated since 1933

# CONTENTS

Hannay hose reels come in all sizes and capacities.

Reel Type	I.D. Hose Sizes	Page
<b>Hannay Reels Sales Policies</b>		
		3
<b>Manual or Power Rewind Reels</b>		
Series V-6000	1"	4-5
Series V-1-1/2"	1-1/4" or 1-1/2"	6-7
Series V-2"	1-1/2" or 2"	8
Series V-3"	2-1/2" or 3"	9
Series V-4"	4"	10-11
Series V-5000 Single Wrap	1-1/2" – 3"	12-13
<b>Spring Rewind Reels</b>		
Series N600 Dual Hose	1/4" – 3/8"	14
Series V-N800	1"	15
Series V-800	1"	16
Series V-900	1-1/4" or 1-1/2"	17
<b>Static Grounding Reels</b>		
Series GR/HGR		18-19



### Mounting Hole Sizes

<b>N Series Reels</b>	7/16" wide x 7/8" long slot running front to back
<b>Pressed Frame Reels and Channel Framed Reels</b>	7/16" wide x 7/8" long slot running left to right
<b>Series 5000</b>	5/8" round holes
<b>Static Grounding Reels</b>	13/32" round holes

### Note to Designers and Engineers

The reels shown in this catalog are the standard of the industry. These models reflect various installation and performance requirements.

The high quality of our **standard steel construction** is only the beginning.

Hannay Reels offers any size configuration to fit a defined space, and we construct many models of reels of **aluminum** or **stainless steel**. Specifically, we use 5000 and 6000 Series aluminum and 304 stainless steel in the manufacture of frames, discs, drums, and internals as well as other structural components. This type of construction eliminates the need for maintenance repainting and part replacement due to rust or corrosion.

Please consult factory on any fuel handling questions.

For the many accessories and components available on our standard reel models such as roller guides, switches, brakes and locks, etc., please refer to our Ordering & Accessory Guide H-0415-OA.

### Notice on Reel Finish

Standard finish on Hannay reels is a high performance modified acrylic enamel paint. Standard color is metallic graphite. Other colors available at no additional cost include red, white, black, and primer.

Most of the major components on standard reels are e-coated prior to receiving final topcoat paint finish. This combination of e-coat and enamel topcoat will meet the finish requirements of most customer applications and environments.

In cases where requirements cannot be met with the standard finish, Hannay Reels can coat any model reel with an automotive primer, allowing application of final coating at your facility. Alternatively, Hannay Reels can provide a quote for matching a customer-provided paint specification. For further information, please contact your Hannay Reels sales engineer and a special paint request form will be sent to you.

For environments where no paint finish is suitable, we offer both aluminum and stainless steel (304 grade) construction on most reel models.

# Hannay Reels **Sales Policies**

## Hannay Reels 3-Year Limited Warranty

Products manufactured by Hannay Reels, Inc. (“Hannay”) are warranted for 3 years from date of shipment when properly installed, maintained, and operated in accordance with Hannay instructions. In no event will Hannay have a warranty obligation for normal wear and tear, or for products that have, at Hannay’s determination, been subjected to accident, abuse, misapplication, improper installation or improper maintenance. Common examples of normal wear and tear would include paint finish, swivel joint seal wear, and switch or motor brush wear.

Hannay makes no warranties, express or implied, other than those included in this warranty statement, and we disclaim any implied warrant of merchantability or fitness for any particular purpose. Hannay will not be liable for any consequential, incidental, or indirect damages from any cause whatsoever.

Failure to use a flexible inlet connection on any live hose reel will void the swivel joint warranty. Failure to use a properly sized circuit breaker with any electric rewind motor will void the electric motor warranty. Failure to use a filter and lubricator on any air rewind motor will void the air motor warranty. Failure to follow all procedures outlined in the Safety Guidelines document will void the warranty.

Components not manufactured by Hannay will be subject to the original manufacturers’ warranties. Examples of such components include: hose and cable, motors, speed controls, and switches, swivel joints and seals, slip ring and brush assemblies.

Equipment which proves to be defective upon our inspection will be replaced free of charge, including freight to the customer. Our responsibility ceases upon delivery to any common carrier and we do not, unless previously instructed, insure shipments beyond point of delivery to such carrier. **No material will be accepted for return without a return goods authorization (RGA).** This warranty extends to the replacement or repair of the reel or part (no labor).

Hannay reserves the right to modify or alter materials, dimensions, design, and construction when necessary to improve the performance of the reel and/or accessories, or to meet delivery requirements.

## Notice on Reel Finish

Standard finish on Hannay reels is a high performance modified acrylic enamel paint. Standard color is metallic graphite. Other colors available, please consult factory.

Most of the major components on standard reels are e-coated prior to receiving final topcoat paint finish. This combination of e-coat and enamel topcoat will meet the finish requirements of most customer applications and environments.

In cases where requirements cannot be met with the standard finish, Hannay Reels can coat any model reel with an automotive primer, allowing application of final coating at your facility.

Alternatively, Hannay Reels can provide a quote for matching a customer-provided paint specification. For further information, please contact your Hannay Reels sales engineer and a special paint request form will be sent to you.

For environments where no paint finish is suitable, we offer both aluminum and stainless steel (304 grade) construction on most reel models.

## Return Goods Policy

All Hannay reels are built to order. These orders are typically placed into production within 1 business day of receipt. Once production begins, it may not be possible to cancel the order.

To prevent returns because the wrong reels or parts were ordered, please use the Hannay Reels Spec Worksheet (either online or from our Order Accessory Guide) when specifying reels. Be sure to include any size, weight, pressure and/or material compatibility limitations for the application.

**In the event that an item does need to be returned for credit, repair or replacement, prior approval must be obtained from Hannay Reels.** Upon your request, we will send a Return Goods

Authorization (RGA) form. A signed copy of this form must accompany the material when returned to us, with the RGA number clearly showing on the outside of the box—a label is provided to you that you can print and attach. No product will be accepted for return or credit without an authorized RGA number.

All material must be returned prepaid, unless otherwise noted on our RGA. No return will be accepted that has been damaged due to improper return packaging, tampered with or altered from its original condition. Our restocking and handling fee is a minimum of 25% for standard catalog reels and parts. Custom reels specially built to customer specifications cannot be returned for any reason.

# Series V-6000

## To handle single 1" I.D. hose.

- Rugged, industrial-duty construction.
- Choose gear-driven crank rewind or chain and sprocket drive powered by an electric, hydraulic or compressed air motor.
- Crank rewind reels supplied with pinion brake; power rewind reels with a strap brake.
- Standard inlet: 90° #304 stainless steel ball bearing swivel joints, 1" female NPT threads.
- Standard outlet: 1" female NPT threads.
- Standard inlet, outlet riser, and hub assembly are stainless steel. Optional aluminum swivel joint is available.
- One-piece welded hub assembly.
- Optional rollers are available.
- Standard pressures to 1000 psi (69 bar).
- Temperatures from -40° F to +400° F (-40° C to +204° C).
- Chain guard available upon request, must be specified.



Standard configuration shown with Electric Rewind (V-EPJ) option



Standard configuration shown with Electric Rewind (V-EPJ) option, optional Assembly C2 roller top wind and auxiliary rewind



### Optional Auxiliary Rewind

Ring and pinion shaft rewind unit with removable crank handle.

# Series V-6000

**PARTS DRAWING – ISO 84**

Model Number For power rewind see Note 5	Hose Capacity of Reel feet m		Approx. Weight Crank Rewind lb. kg see Note 4		Reel Dimensions*** in. mm									
	I.D. in. mm	1 25	NET	SHIP	A	B	D	E	F CRANK	F POWER	G	H	X	Y
	O.D. in. mm	1-9/16 40												
<b>V-6024-19-21</b>	<b>60</b>	<b>85</b>	<b>127</b>	<b>21</b>	<b>15.5</b>	<b>20.5</b>	<b>18.75</b>	<b>25.38</b>	<b>30</b>	<b>21.5</b>	<b>12.12</b>	<b>13</b>	<b>16.75</b>	
	18	39	58	533	394	521	476	645	762	546	308	330	425	
<b>V-6032-19-21</b>	<b>85</b>	<b>102</b>	<b>144</b>	<b>29.5</b>	<b>24</b>	<b>20.5</b>	<b>18.75</b>	<b>33.88</b>	<b>38.5</b>	<b>21.5</b>	<b>12.12</b>	<b>21.5</b>	<b>16.75</b>	
	26	46	65	749	610	521	476	861	978	546	308	546	425	
<b>V-6024-23-24</b>	<b>100</b>	<b>92</b>	<b>134</b>	<b>21</b>	<b>15.5</b>	<b>20.5</b>	<b>22.75</b>	<b>25.38</b>	<b>30</b>	<b>23.5</b>	<b>12.12</b>	<b>13</b>	<b>16.75</b>	
	30	42	61	533	394	521	578	645	762	597	308	330	425	
<b>V-6030-23-24</b>	<b>150</b>	<b>105</b>	<b>147</b>	<b>27.5</b>	<b>22</b>	<b>20.5</b>	<b>22.75</b>	<b>31.88</b>	<b>36.5</b>	<b>23.5</b>	<b>12.12</b>	<b>19.5</b>	<b>16.75</b>	
	46	48	67	699	559	521	578	810	927	597	308	495	425	
<b>V-6038-23-24</b>	<b>175</b>	<b>120</b>	<b>162</b>	<b>35</b>	<b>29.5</b>	<b>20.5</b>	<b>22.75</b>	<b>39.38</b>	<b>44</b>	<b>23.5</b>	<b>12.12</b>	<b>27</b>	<b>16.75</b>	
	53	54	73	889	749	521	578	1000	1118	597	308	686	425	
<b>V-6016-25-26</b>	<b>60</b>	<b>88</b>	<b>130</b>	<b>13</b>	<b>7.5</b>	<b>25.5</b>	<b>24.75</b>	<b>17.38</b>	<b>22</b>	<b>27.88</b>	<b>15.5</b>	<b>7.75</b>	<b>21.75</b>	
	18	40	59	330	191	648	629	441	559	708	394	197	552	
<b>V-6022-25-26</b>	<b>100</b>	<b>100</b>	<b>142</b>	<b>19</b>	<b>13.5</b>	<b>25.5</b>	<b>24.75</b>	<b>23.38</b>	<b>28</b>	<b>27.88</b>	<b>15.5</b>	<b>11</b>	<b>21.75</b>	
	30	45	64	483	343	648	629	594	711	708	394	279	552	
<b>V-6028-25-26</b>	<b>175</b>	<b>113</b>	<b>155</b>	<b>25.5</b>	<b>20</b>	<b>25.5</b>	<b>24.75</b>	<b>29.88</b>	<b>34.5</b>	<b>27.88</b>	<b>15.5</b>	<b>17.5</b>	<b>21.75</b>	
	53	51	70	648	508	648	629	759	876	708	394	445	552	
<b>V-6018-30-31</b>	<b>125</b>	<b>101</b>	<b>151</b>	<b>15</b>	<b>9.5</b>	<b>25.5</b>	<b>28.75</b>	<b>19.38</b>	<b>24</b>	<b>29.88</b>	<b>15.5</b>	<b>7</b>	<b>21.75</b>	
	38	46	68	381	241	648	730	492	610	759	394	178	552	
<b>V-6024-30-31</b>	<b>175</b>	<b>113</b>	<b>163</b>	<b>21</b>	<b>15.5</b>	<b>25.5</b>	<b>28.75</b>	<b>25.38</b>	<b>30</b>	<b>29.88</b>	<b>15.5</b>	<b>13</b>	<b>21.75</b>	
	53	51	74	533	394	648	730	645	762	759	394	330	552	
<b>V-6028-30-31</b>	<b>250</b>	<b>121</b>	<b>171</b>	<b>25.5</b>	<b>20</b>	<b>25.5</b>	<b>28.75</b>	<b>29.88</b>	<b>34.5</b>	<b>29.88</b>	<b>15.5</b>	<b>17.5</b>	<b>21.75</b>	
	76	55	78	648	508	648	730	759	876	759	394	445	552	
† <b>V-6030-30-31</b>	<b>275</b>	<b>125</b>	<b>175</b>	<b>27.5</b>	<b>22</b>	<b>25.5</b>	<b>28.75</b>	<b>31.88</b>	<b>36.5</b>	<b>29.88</b>	<b>15.5</b>	<b>19.5</b>	<b>21.75</b>	
	84	57	79	699	559	648	730	810	927	759	394	495	552	
† <b>V-6028-33-34</b>	<b>300</b>	<b>129</b>	<b>179</b>	<b>25</b>	<b>20</b>	<b>31.5</b>	<b>31.75</b>	<b>29.75</b>	<b>34.25</b>	<b>33.63</b>	<b>17.75</b>	<b>17.5</b>	<b>27.75</b>	
	91	59	81	635	508	800	806	756	870	854	451	445	705	

**Notes:**

- Specifications subject to change.
- Upon request, reels can be supplied with drum lengths other than shown and with disc sizes in other diameters.
- Dimensions shown for reels up to and including 30-31 disc size reflect pressed frames. All others are rollformed channel frames.
- Weights shown in chart are for crank rewind models. Prefix model number with V-. ADD these amounts for power rewind models:

	Net lbs/kg	Ship lbs/kg
<b>Electric 1/2 HP</b>	<b>40/18.1</b>	<b>40/18.1</b>
<b>Hydraulic</b>	<b>20/9.1</b>	<b>20/9.1</b>
<b>Air</b>	<b>20/9.1</b>	<b>20/9.1</b>

- When ordering power rewind models, replace prefix V- with:
  - V-A** = Air Rewind—Supplied with control valve and 18" air hose.
  - V-EPJ** = Explosion-Proof Electric Rewind (1/2 HP)—12v and 24v DC rewind reels supplied with explosion-proof switch, solenoid, and junction box. 115v AC rewind reels supplied with explosion-proof switch and junction box.
  - V-HD** = Hydraulic Rewind—not supplied with control valve.

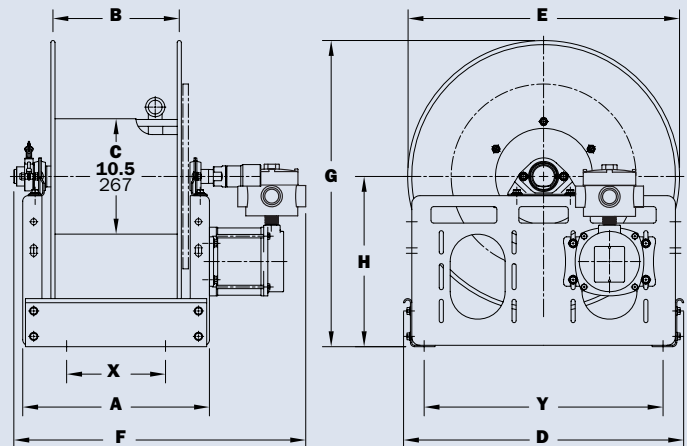
6. **Finish:** Refer to page 2.

7. **Be sure to check dimensions and weights prior to ordering.**

**NOTICE:** A flexible connector must be used between the inlet pipe and the inlet swivel joint.

\*\*\* X, Y indicate mounting holes. See page 2.

† Some applications require a manual clutch/reduction unit (consult factory).



Electric power rewind shown with junction box

## Series V-1-1/2"

### To handle single 1-1/4" or 1-1/2" I.D. hose.

- Rugged, industrial-duty construction.
- Gear-driven crank rewind or chain and sprocket drive powered by an electric, hydraulic or compressed air motor.
- Optional auxiliary crank rewind for power rewind reels.
- Crank rewind reels supplied with pinion brake and power rewind reels with a comet brake.
- Standard inlet: 90° ball bearing swivel joint, 1-1/2" female NPT threads, and 2" Victaulic® groove.
- Standard outlet: flanged riser, 1-1/2" female NPT threads.
- Other sizes and/or threads can be furnished and must be specified.
- Inlet, outlet riser, hub assembly are aluminum for jet fuels.
- Stainless steel fluid path is available at extra cost.
- Rollers and roller mounting brackets are accessory items. Must specify roller position.
- Chain guard is available upon request, must be specified.
- Pressures to 600 psi (41 bar).
- Temperatures from -20° F to +400° F (-29° C to +204° C).
- Consult factory for other pressures and temperatures.



Standard configuration shown with Electric Rewind (V-EPJ) option



Standard configuration shown with Electric Rewind (V-EPJ) option and optional Assembly C2 roller

# Series V-1-1/2"

## PARTS DRAWING – ISO 18

Model Number <small>For Power Rewind see Notes 4 &amp; 5</small>	Hose Capacity of Reel feet m			Approx. Weight Crank Rewind lb. kg <small>See Note 4</small>		Reel Dimensions*** in. mm									
	I.D. in. mm	1-1/4 32	1-1/2 38	NET	SHIP	A	B	D	E	F CRANK	F POWER	G	H	X	Y
	O.D. in. mm	1.89 48	2.10 53												
V-26-19-21	60	50		99	141	23	17.5	20.5	18.75	29.5	31.88	21.5	12.12	15	16.75
	18	15		45	64	584	445	521	476	749	810	546	308	381	425
V-32-19-21	75	75		112	154	29.5	24	20.5	18.75	36.0	38.38	21.5	12.12	21.5	16.75
	23	23		51	70	749	610	521	476	914	975	546	308	546	425
V-40-19-21	100	100		128	170	37.5	32	20.5	18.75	44.0	46.38	21.5	12.12	29.5	16.75
	30	30		58	77	953	813	521	476	1118	1178	546	308	749	425
V-24-23-24	85	50		102	144	21	15.5	20.5	22.75	27.5	29.88	23.5	12.12	13	16.75
	26	15		46	65	533	394	521	578	699	759	597	308	330	425
V-32-23-24	125	75		119	161	29.5	24	20.5	22.75	36.0	38.38	23.5	12.12	21.5	16.75
	38	23		54	73	749	610	521	578	914	975	597	308	546	425
V-38-23-24	175	100		130	172	35	29.5	20.5	22.75	41.5	43.88	23.5	12.12	27	16.75
	53	30		59	78	889	749	521	578	1054	1115	597	308	686	425
V-20-25-26	75	60		106	148	17	11.5	25.5	24.75	23.5	25.88	27.88	15.5	9	21.75
	23	18		48	67	432	292	648	629	597	657	708	394	229	552
V-24-25-26	100	75		114	156	21	15.5	25.5	24.75	27.5	29.88	27.88	15.5	13	21.75
	30	23		52	71	533	394	648	629	699	759	708	394	330	552
V-28-25-26	125	100		123	165	25.5	20.0	25.5	24.75	32.0	34.38	27.88	15.5	17.5	21.75
	38	30		56	75	648	508	648	629	813	873	708	394	445	552
V-16-30-31	50	50		106	156	13	7.5	25.5	28.75	19.5	21.88	29.88	15.5	7.75	21.75
	15	15		48	71	330	191	648	730	495	556	759	394	197	552
V-20-30-31	100	75		114	164	17	11.5	25.5	28.75	23.5	25.88	29.88	15.5	9	21.75
	30	23		52	74	432	292	648	730	597	657	759	394	229	552
† V-22-30-31	125	100		118	168	19	13.5	25.5	28.75	25.5	27.88	29.88	15.5	11	21.75
	38	30		54	76	483	343	648	730	648	708	759	394	279	552
† V-28-30-31	200	150		131	181	25.5	20.0	25.5	28.75	32.0	34.38	29.88	15.5	17.5	21.75
	60	46		59	82	648	508	648	730	813	873	759	394	445	552
† V-24-33-34	175	150		129	179	20.5	15.5	31.5	31.75	27.25	29.63	33.62	17.75	13	27.75
	53	46		59	81	521	394	800	806	692	753	854	451	330	705

**Notes:**

- Specifications subject to change.
- Upon request, reels can be supplied with drum lengths other than shown and with disc sizes in other diameters.
- Dimensions shown for reels up to and including 30-31 disc size reflect pressed frames. All others are rollformed channel frames.
- Weights shown in chart are for crank rewind models. Prefix model number with V-. ADD these amounts for power rewind models:

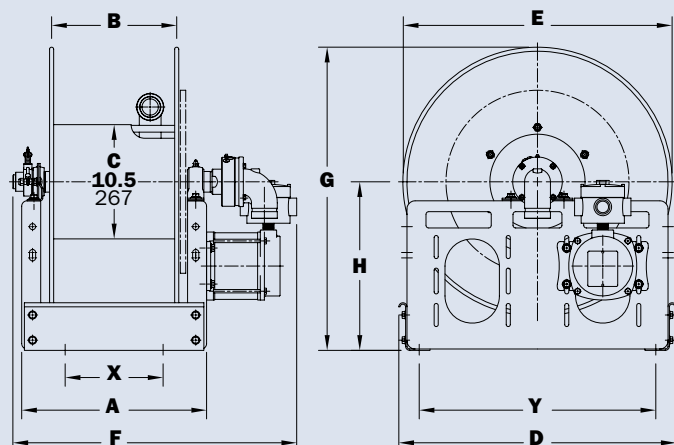
	Net lbs/kg	Ship lbs/kg
Electric	40/18.1	40/18.1
Hydraulic	20/9.1	20/9.1
Air	20/9.1	20/9.1

- When ordering power rewind models, replace prefix V- with:
  - V-A = Air Rewind—Supplied with control valve and 18" air hose.
  - V-EPJ = Explosion-Proof Electric Rewind (1/2 HP)—Supplied with explosion-proof switch, solenoid, and junction box.
  - V-HD = Hydraulic Rewind—Not supplied with control valve.
- For Air Rewind on models over 100 ft. of 1-1/2", consult factory.
- Be sure to check dimensions and weights prior to ordering.

**NOTICE:** A flexible connector must be used between the inlet pipe and the inlet swivel joint.

† Some applications may require a different motor and/or a clutch/reduction unit.

\*\*\*X, Y indicate mounting holes. See page 2.



## Series V-2"

### To handle single 1-1/2" or 2" I.D. hose.

- Rugged, industrial-duty channel frame construction.
- Gear-driven crank rewind or chain and sprocket drive powered by an electric, hydraulic or compressed air motor.
- Optional auxiliary crank rewind for power rewind reels.
- Crank rewind reels supplied with pinion brake and power rewind reels with a comet brake.
- Standard inlet: 90° ball bearing swivel joint with 2" Victaulic® groove.
- Standard outlet: flanged riser, 2" female NPT threads.
- Other sizes and/or threads can be furnished and must be specified.
- Inlet, outlet riser, hub assembly are aluminum for jet fuels.
- Stainless steel fluid path is available at extra cost.
- Rollers and roller mounting brackets are accessory items. Must specify roller position.
- Pressures to 150 psi (10 bar).
- Temperatures from -50°F to +180°F (-45°C to +82°C).
- Consult factory for other pressures and temperatures.



Standard configuration shown with Electric Rewind (V-EPJ) option



### Chain Clutch - Reduction Units

- Recommended on power reels with 39" diameter or larger discs, or when increased torque and slower rewind speeds are required.
- Factory installed.



# Series V-2"

## PARTS DRAWING – ISO 35

Model Number For Power Rewind see Notes 3 & 4	Hose Capacity of Reel feet m			Approx. Weight Crank Rewind lb. kg See Note 3		Reel Dimensions*** in. mm									
	I.D. in. mm	1-1/2 38	2 51	NET	SHIP	A	B	D	E	F CRANK	F POWER	G	H	X	Y
	O.D. in. mm	2.06 52	2.67 68			23.75	17.5	27	25.75	31	32.75	26.62	13.75	16.25	23.25
<b>V-232-26-27</b>	70 21	50 15	104 47	154 70	23.75 603	17.5 445	27 686	25.75 654	31 787	32.75 832	26.62 676	13.75 349	16.25 413	23.25 591	
<b>V-238-26-27</b>	100 30	75 23	145 66	195 88	30.25 768	24 610	27 686	25.75 654	37.5 953	39.25 997	26.62 676	13.75 349	22.75 578	23.25 591	
<b>V-246-26-27</b>	140 43	100 30	196 89	246 112	38.25 972	32 813	27 686	25.75 654	45.5 1156	47.25 1200	26.62 676	13.75 349	30.75 781	23.25 591	
<b>V-224-33-34</b>	60 18	50 15	70 32	140 64	15.75 400	9.5 241	31.5 800	31.75 806	23 584	24.75 629	33.38 848	17.5 445	8.25 210	27.75 705	
<b>V-228-33-34</b>	100 30	75 23	92 42	162 73	19.75 502	13.5 343	31.5 800	31.75 806	27 686	28.75 730	33.38 848	17.5 445	12.25 311	27.75 705	
<b>V-234-33-34</b>	140 43	100 30	133 60	203 92	26.25 667	20 508	31.5 800	31.75 806	33.5 851	35.25 895	33.38 848	17.5 445	18.75 476	27.75 705	
<b>V-232-39-40</b>	250 76	150 46	180 82	250 113	23.75 603	17.5 445	40 1016	39 991	31 787	32.75 832	39.88 1013	20.38 518	16.25 413	37 940	
<b>V-240-39-40</b>	350 107	200 61	218 99	288 131	32.25 819	26 660	40 1016	39 991	39.5 1003	41.25 1048	39.88 1013	20.38 518	22.75 578	37 940	

**Notes:**

- Specifications subject to change.
- Upon request, reels can be supplied with drum lengths other than shown and with disc sizes in other diameters.
- Weights shown in chart are for crank rewind models. Prefix model number with V-. ADD these amounts for power rewind models:

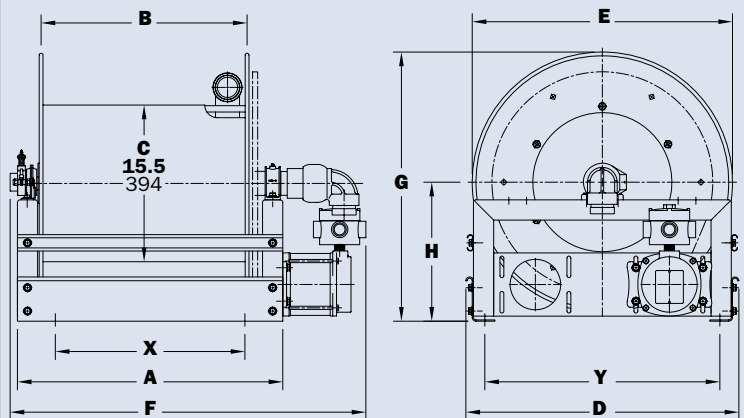
	Net lbs/kg	Ship lbs/kg
<b>Electric</b>	40/18.1	40/18.1
<b>Hydraulic</b>	20/9.1	20/9.1
<b>Air</b>	20/9.1	20/9.1

- When ordering power rewind models, replace prefix V- with:
  - V-A** = Air Rewind–Supplied with control valve and 18" air hose.
  - V-EPJ** = Explosion-Proof Electric Rewind (1/2 HP)–Supplied with explosion-proof switch, solenoid, and junction box.
  - V-HD** = Hydraulic Rewind–Not supplied with control valve.

5. Be sure to check dimensions and weights prior to ordering.

**NOTICE:** A flexible connector must be used between the inlet pipe and the inlet swivel joint.

\*\*\*X, Y indicate mounting holes. See page 2.



# Series V-3"

**To handle 2-1/2" or 3" I.D. hose.**

- Rugged, industrial-duty channel frame construction.
- Gear-driven crank rewind or chain and sprocket drive powered by an electric, hydraulic or compressed air motor.
- Pinion shaft brake as auxiliary crank rewind on power reels, at extra cost.
- Crank rewind supplied with pinion brake, power reels with comet brake. Other brakes and locking devices may be specified.
- Standard inlet: 90° ball bearing swivel joint, 3" Victaulic® groove.
- Standard outlet: flanged riser, 3" female NPT threads.
- Consult factory for other sizes and/or threads.
- Inlet, outlet riser, and hub assembly are aluminum for jet fuels.
- Stainless steel fluid path is available at extra cost.
- Rollers and roller mounting brackets are accessory items. Specify roller position.
- Pressures to 150 psi (10 bar).
- Temperatures from -50°F to +180°F (-45°C to +82°C).
- Consult factory for other pressures and temperatures.



Standard configuration shown with Electric Rewind (V-EPJ) option



**Chain Clutch - Reduction Units**

- Standard on power reels with 39" diameter or larger discs, or when increased torque and slower rewind speeds are required.
- Factory installed.

**PARTS DRAWING – ISO 57**

Model Number For Power Rewind see Notes 3 & 4	Hose Capacity of Reel feet m			Approx. Weight Crank Rewind lb. kg See Note 3		Reel Dimensions*** in. mm										
	I.D. in. mm	2-1/2 64	3 76	NET	SHIP	A	B	C	D	E	F CRANK	F POWER	G	H	X	Y
	O.D. in. mm	3.25 83	3.78 96													
<b>V-334-26-27</b>	<b>*25</b>	-	-	<b>116</b>	<b>166</b>	<b>26.25</b>	<b>20</b>	<b>15.5</b>	<b>27</b>	<b>27.38</b>	<b>35.75</b>	<b>36.25</b>	<b>27.12</b>	<b>14.25</b>	<b>18.75</b>	<b>23.25</b>
	8	-	-	53	75	667	508	394	686	695	908	921	689	362	476	591
<b>V-340-26-27</b>	<b>*35</b>	-	-	<b>153</b>	<b>203</b>	<b>32.25</b>	<b>26</b>	<b>15.5</b>	<b>27</b>	<b>27.38</b>	<b>41.75</b>	<b>42.25</b>	<b>27.12</b>	<b>14.25</b>	<b>24.75</b>	<b>23.25</b>
	11	-	-	69	92	819	660	394	686	695	1060	1073	689	362	629	591
<b>V-350-26-27</b>	<b>*50</b>	-	-	<b>213</b>	<b>340</b>	<b>42.25</b>	<b>36</b>	<b>15.5</b>	<b>27</b>	<b>27.38</b>	<b>51.75</b>	<b>52.25</b>	<b>27.12</b>	<b>14.25</b>	<b>34.75</b>	<b>23.25</b>
	15	-	-	97	155	1073	914	394	686	695	1314	1327	689	362	883	591
<b>V-332-33-34</b>	<b>25</b>	<b>25</b>	-	<b>125</b>	<b>195</b>	<b>23.75</b>	<b>17.5</b>	<b>20</b>	<b>31.5</b>	<b>31.75</b>	<b>33.25</b>	<b>33.75</b>	<b>33.88</b>	<b>18</b>	<b>16.25</b>	<b>27.75</b>
	8	8	-	57	88	603	445	508	800	806	845	857	861	457	413	705
<b>V-346-33-34</b>	<b>50</b>	<b>50</b>	-	<b>237</b>	<b>307</b>	<b>38.25</b>	<b>32</b>	<b>20</b>	<b>31.5</b>	<b>31.75</b>	<b>47.75</b>	<b>48.25</b>	<b>33.88</b>	<b>18</b>	<b>30.75</b>	<b>27.75</b>
	15	15	-	108	139	972	813	508	800	806	1213	1226	861	457	781	705
<b>V-332-39-40</b>	<b>65</b>	<b>50</b>	-	<b>201</b>	<b>271</b>	<b>23.75</b>	<b>17.5</b>	<b>20</b>	<b>40</b>	<b>39</b>	<b>33.25</b>	<b>33.75</b>	<b>40.38</b>	<b>20.88</b>	<b>16.25</b>	<b>37</b>
	20	15	-	91	123	603	445	508	1016	991	845	857	1026	530	413	940
<b>V-338-39-40</b>	<b>90</b>	<b>80</b>	-	<b>239</b>	<b>309</b>	<b>30.25</b>	<b>24</b>	<b>20</b>	<b>40</b>	<b>39</b>	<b>39.75</b>	<b>40.25</b>	<b>40.38</b>	<b>20.88</b>	<b>22.75</b>	<b>37</b>
	27	24	-	108	140	768	610	508	1016	991	1010	1022	1026	530	578	940
<b>V-334-45-46</b>	<b>120</b>	<b>100</b>	-	<b>361</b>	<b>431</b>	<b>26.25</b>	<b>20</b>	<b>20</b>	<b>46</b>	<b>45</b>	<b>35.75</b>	<b>36.25</b>	<b>46.38</b>	<b>23.88</b>	<b>18.75</b>	<b>43</b>
	37	30	-	164	195	667	508	508	1168	1143	908	921	1178	607	476	1092

**Notes:**

1. Specifications subject to change.
2. Upon request, reels can be supplied with drum lengths other than shown and with disc sizes in other diameters.
3. Weights shown in chart are for crank rewind models. Prefix model number with **V-**. ADD these amounts for power rewind models:

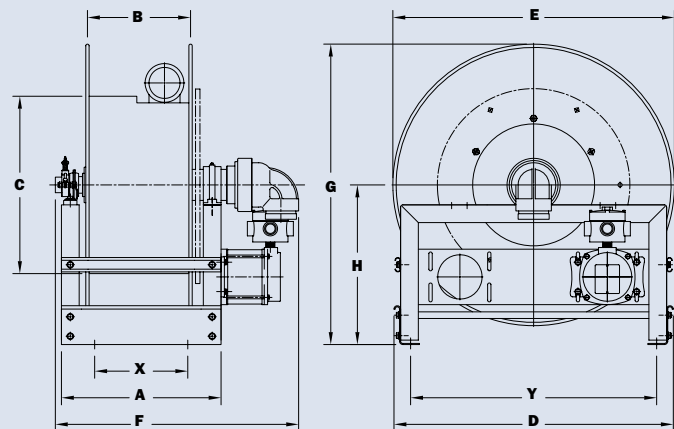
	Net lbs/kg	Ship lbs/kg
<b>Electric</b>	<b>40/18.1</b>	<b>40/18.1</b>
<b>Hydraulic</b>	<b>20/9.1</b>	<b>20/9.1</b>
<b>Air</b>	<b>20/9.1</b>	<b>20/9.1</b>

4. When ordering power rewind models, replace prefix **V-** with:
  - V-A** = Air Rewind—Supplied with control valve and 18" air hose.
  - V-EPJ** = Explosion-Proof Electric Rewind (1/2 HP)—Supplied with explosion-proof switch, solenoid, and junction box.
  - V-HD** = Hydraulic Rewind—Not supplied with control valve.

5. Be sure to check dimensions and weights prior to ordering.  
**NOTICE:** A flexible connector must be used between the inlet pipe and the inlet swivel joint.

\*Be sure to verify bend radius of hose before ordering.

\*\*\*X, Y indicate mounting holes. See page 2.



# Series V-4"

**To handle 4" I.D. hose.**

- Rugged, industrial-duty channel frame construction.
- Gear-driven crank rewind, or chain and sprocket drive powered by an electric, hydraulic or compressed air motor.
- Pinion shaft brake as auxiliary on power reels, at extra cost.
- Crank rewind reels supplied with pinion brake, power reels with comet brake. Other brakes and locking devices may be specified.
- Standard inlet: 90° ball bearing swivel joint, 4" female NPT threads.
- Standard outlet: flanged riser with 4" female NPT threads.
- Consult factory for other sizes and/or threads.
- Standard outlet riser and hub assembly are steel with iron inlet swivel joint. For jet fuels, can be supplied in stainless steel, at extra cost.
- Rollers and roller mounting brackets are accessory items. Specify roller position.
- Pressures to 150 psi (10 bar).
- Temperatures from -50°F to +180°F (-45°C to +82°C).
- Consult factory for other pressures and temperatures.



Standard configuration shown with Electric Rewind (V-EPJ) option



**Chain Clutch - Reduction Units**

- Standard on all Series V4" power reels for increased torque and slower rewind speeds as required.
- Factory installed.

Model Number <small>For Power Rewind see Notes 3 &amp; 4</small>	Hose Capacity of Reel feet m		Approx. Weight Crank Rewind lb. kg <small>See Note 3</small>		Reel Dimensions*** in. mm										
	I.D. in. mm	4 102	NET	SHIP	A	B	C	D	E	F CRANK	F POWER	G	H	X	Y
	O.D. in. mm	5 127													
<b>V-426-52-54-36</b>	-	-	<b>255</b> 116	<b>325</b> 147	<b>18.5</b> 470	<b>11.5</b> 292	<b>36</b> 914	<b>53</b> 1346	<b>52</b> 1321	<b>29.75</b> 756	<b>29.25</b> 743	<b>55</b> 1397	<b>29</b> 737	<b>11</b> 279	<b>50</b> 1270
<b>V-430-52-54-36</b>	<b>*30</b> 9	<b>275</b> 125	<b>345</b> 156	<b>22.5</b> 572	<b>15.5</b> 394	<b>36</b> 914	<b>53</b> 1346	<b>52</b> 1321	<b>33.75</b> 857	<b>33.25</b> 845	<b>55</b> 1397	<b>29</b> 737	<b>15</b> 381	<b>50</b> 1270	
<b>V-434-52-54-36</b>	<b>*40</b> 12	<b>290</b> 132	<b>360</b> 163	<b>27</b> 686	<b>20</b> 508	<b>36</b> 914	<b>53</b> 1346	<b>52</b> 1321	<b>38.25</b> 972	<b>37.75</b> 959	<b>55</b> 1397	<b>29</b> 737	<b>19.5</b> 495	<b>50</b> 1270	
<b>V-426-56-58-36</b>	-	-	<b>290</b> 132	<b>360</b> 163	<b>18.5</b> 470	<b>11.5</b> 292	<b>36</b> 914	<b>57</b> 1448	<b>56</b> 1422	<b>29.75</b> 756	<b>29.25</b> 743	<b>58</b> 1473	<b>30</b> 762	<b>11</b> 279	<b>54</b> 1372
<b>V-430-56-58-36</b>	<b>*40</b> 12	<b>305</b> 138	<b>375</b> 170	<b>22.5</b> 572	<b>15.5</b> 394	<b>36</b> 914	<b>57</b> 1448	<b>56</b> 1422	<b>33.75</b> 857	<b>33.25</b> 845	<b>58</b> 1473	<b>30</b> 762	<b>15</b> 381	<b>54</b> 1372	
<b>V-434-56-58-36</b>	<b>*55</b> 17	<b>325</b> 147	<b>395</b> 179	<b>27</b> 686	<b>20</b> 508	<b>36</b> 914	<b>57</b> 1448	<b>56</b> 1422	<b>38.25</b> 972	<b>37.75</b> 959	<b>58</b> 1473	<b>30</b> 762	<b>19.5</b> 495	<b>54</b> 1372	

**Notes:**

1. Specifications subject to change.
2. Upon request, reels can be supplied with drum lengths other than shown and with disc sizes in other diameters.
3. Weights shown in chart are for crank rewind models. Prefix model number with **V-**. ADD these amounts for power rewind models:

	Net lbs/kg	Ship lbs/kg
<b>Electric</b>	<b>40/18.1</b>	<b>40/18.1</b>
<b>Hydraulic</b>	<b>20/9.1</b>	<b>20/9.1</b>
<b>Air</b>	<b>20/9.1</b>	<b>20/9.1</b>

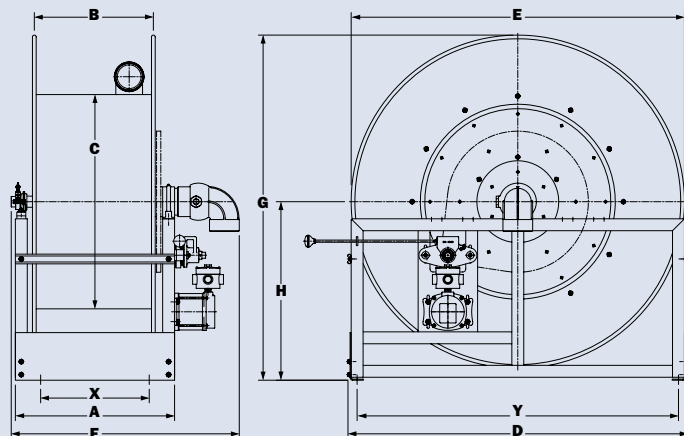
4. When ordering power rewind models, replace prefix **V-** with:
  - V-A** = Air Rewind—Supplied with control valve and 18" air hose.
  - V-EPJ** = Explosion-Proof Electric Rewind (1/2 HP)—Supplied with explosion-proof switch, solenoid, and junction box.
  - V-HD** = Hydraulic Rewind—Not supplied with control valve.

**5. Be sure to check dimensions and weights prior to ordering.**

**NOTICE:** A flexible connector must be used between the inlet pipe and the inlet swivel joint.

\*Be sure to verify bend radius of hose before ordering.

\*\*\*X, Y indicate mounting holes. See page 2.



# Series V-5000 | Single Wrap

**To handle single 1-1/2" I.D. through 3" I.D. hose.**

- Effortless and fast rewinding, wrapping of hose.
- Chain and sprocket drive powered by electric, hydraulic, or compressed air motor.
- Auxiliary crank rewind, optional.
- 12 volt rewind, comet brake, reduction unit standard.
- Air brake optional.
- Inlet, hub assembly is aluminum.
- Consult factory for other pressures, temperatures, and options.

**Series V-5100**

- Standard inlet: 90° ball bearing swivel joint, 1-1/2" female NPT threads, 2" Victaulic® groove, flanged riser with 1-1/2" female NPT threads.
- Pressures to 600 psi (41 bar).
- Temperatures from -25°F to +250°F (-32°C to +121°C).

**Series V-5200**

- Standard inlet: 90° ball bearing swivel joint, 2" Victaulic® groove, flanged riser with 2" female NPT threads.
- Pressures to 150 psi (10 bar).
- Temperatures from -50°F to +180°F (-45°C to +82°C).

**Series V-5300**

- Standard inlet: I-hub (aluminum only) straight 3" Victaulic® groove inlet, flanged riser with 3" female NPT threads.
- Pressures to 150 psi (10 bar).
- Temperatures from -50°F to +180°F (-45°C to +82°C).
- Optional 90° ball bearing alum swivel joint, 3" Victaulic® groove, flanged riser with 3" female NPT threads.
- Optional I-hub joints are available in:
  - 3" straight flanged
  - 3" 90° flanged
  - 3" 90° Victaulic®



**Series V-5300**  
Standard configuration shown



Standard straight I-hub  
for Series V-5300



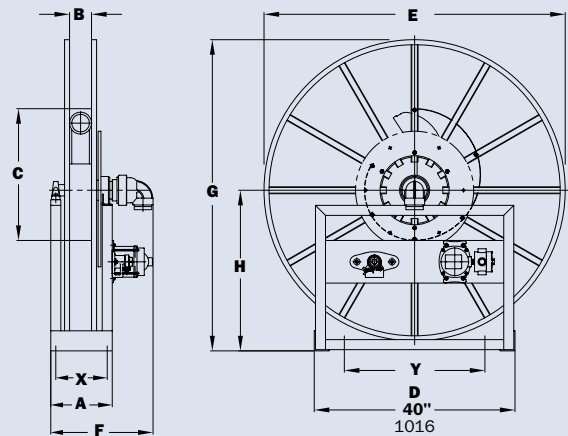
90° Victaulic® version I-hub assembly  
with riser for Series V-5300

**PARTS DRAWING – ISO 197**

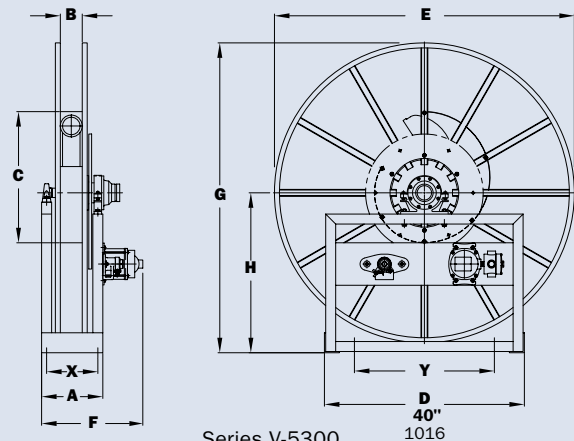
Model Number For Power Rewind see Note 2	Hose Capacity of Reel feet m					Approx. Weight lb. kg		Reel Dimensions*** in. mm									
	I.D. in. mm	1-1/2 38	2 51	2-1/2 64	3 76	NET	SHIP	A	B	C	E	F POWER	F POWER with I-Hub	G	H	X	Y
	O.D. in. mm	2.06 52	2.67 68	3.25 83	3.78 96												
<b>V-5111-48-50-20</b>	50	-	-	-	-	310	385	10.63	2.5	20	48	17.5	-	50	26	8.63	28
	15	-	-	-	-	141	175	270	64	508	1219	445	-	1270	660	219	711
<b>V-5111-56-58-20</b>	75	-	-	-	-	330	405	10.63	2.5	20	56	17.5	-	58	30	8.63	28
	23	-	-	-	-	150	184	270	64	508	1422	445	-	1473	762	219	711
<b>V-5111-62-64-20</b>	100	-	-	-	-	340	415	10.63	2.5	20	62	17.5	-	64	33	8.63	28
	30	-	-	-	-	154	188	270	64	508	1575	445	-	1626	838	219	711
<b>V-5218-56-58-24</b>	-	50	-	-	-	370	445	11.5	3.63	20	56	19.25	-	58	30	9.5	28
	-	15	-	-	-	168	202	292	92	508	1422	489	-	1473	762	241	711
<b>V-5218-62-64-24</b>	-	75	-	-	-	390	465	11.5	3.63	20	62	19.25	-	64	33	9.5	28
	-	23	-	-	-	177	211	292	92	508	1575	489	-	1626	838	241	711
<b>V-5218-70-72-24</b>	-	100	-	-	-	400	475	11.5	3.63	20	70	19.25	-	72	37	9.5	28
	-	30	-	-	-	181	215	292	92	508	1778	489	-	1829	940	241	711
<b>V-5319-62-64-30</b>	-	-	50	50	-	400	475	12.25	4.38	30	62	21.25	20.5	64	33	10.25	28
	-	-	15	15	-	182	216	311	111	762	1575	540	521	1626	838	260	711
<b>V-5319-70-72-30</b>	-	-	75	-	-	410	485	12.25	4.38	30	70	21.25	20.5	72	37	10.25	28
	-	-	23	-	-	186	220	311	111	762	1778	540	521	1829	940	260	711
<b>V-5319-78-80-30</b>	-	-	100	-	-	420	495	12.25	4.38	30	78	21.25	20.5	80	41	10.25	28
	-	-	30	-	-	191	225	311	111	762	1981	540	521	2032	1041	260	711

**Notes:**

- Specifications subject to change.
  - When ordering power rewind models, prefix model number with:
    - V-A** = Air Rewind reels are supplied with control valve and 25" air hose.
    - V-EP** = Electric Rewind (2/3 HP) 12v and 24v DC rewind reels are supplied with switch and solenoid.
    - V-HD** = Hydraulic Rewind reels are not supplied with control valve.
  - Be sure to check dimensions and weights prior to ordering.**
- NOTICE:** A flexible connector must be used between the inlet pipe and the inlet swivel joint.
- \*\*\*X, Y indicate mounting holes. See page 2.



Series V-5100 and V-5200



Series V-5300

# Series N600 | Dual Hose

- **Deadman/Sensing**

**To handle dual 1/4" through 3/8" I.D. sensing hose.**

- Narrow frame and compact mounting base.
- Non-sparking ratchet assembly.
- Decutching arbor to prevent damage from reverse winding.
- Standard inlets: 90° full-flow swivel joints with Viton® seals, 1/2" female NPT threads.
- Optional balanced pressure (BP) swivel joints are available upon request. Subtract 1-3/4" from "F" dimension.
- Standard outlets: 1/2" female NPT threads.
- Standard pressures to 3000 psi (207 bar).
- Temperatures from -40° F to +400° F (-40° C to +204° C).
- Consult factory for other pressures and temperatures.
- 4-way roller assembly. SR position is standard, other configurations available, must specify.



Standard SR configuration shown

**PARTS DRAWING – ISO 80**

Model Number	Hose Capacity of Reel feet m			Approx. Weight lb. kg			Standard Roller Assy.	Reel Dimensions*** in. mm								
	I.D. in. mm	1/4 6	3/8 10	NET	UPS/ FedEx SHIP Wt.	Freight SHIP Wt.		A	B	C	E	F Full-Flow	F BP	G	H	X
	O.D. in. mm	5/8 16	3/4 19					11	5	10.5	20.75	16	14.25	20	10.62	9
<b>N617-19-20-10.5J</b>		<b>2/50</b>	<b>2/50</b>	<b>66</b>	<b>84*</b>	<b>101</b>	<b>N205</b>	<b>11</b>	<b>5</b>	<b>10.5</b>	<b>20.75</b>	<b>16</b>	<b>14.25</b>	<b>20</b>	<b>10.62</b>	<b>9</b>
		2/15	2/15	30	38	46		279	127	267	527	406	362	508	270	229
<b>N617-23-24-10.5G</b>		<b>2/100</b>	<b>2/100</b>	<b>73</b>	<b>84*</b>	<b>108</b>	<b>N205</b>	<b>11</b>	<b>5</b>	<b>10.5</b>	<b>24</b>	<b>16</b>	<b>14.25</b>	<b>24</b>	<b>12.62</b>	<b>9</b>
		2/31	2/31	33	38	49		279	127	267	610	406	362	610	321	229

**Notes:**

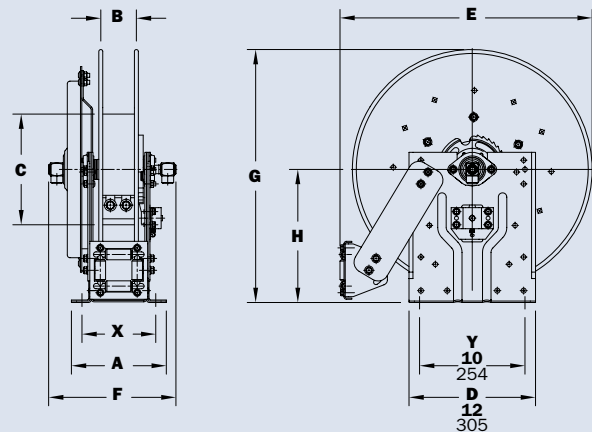
**A hose stop is necessary to keep spring from unwinding.**

1. Specifications subject to change.
2. Reel models and capacities shown are for standard drag applications; for vertical lift applications, consult factory.
3. Other sizes, from standard components, available on request.
4. **Finish:** Refer to page 2.
5. **Be sure to check dimensions and weights prior to ordering.**

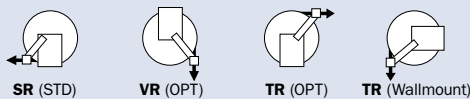
**NOTICE:** A flexible connector must be used between the inlet pipe and the inlet swivel joint.

\*Dimensional weight may apply when shipped as a parcel package (via FedEx or UPS Ground).

\*\*\* X, Y indicate mounting holes. See page 2.



**Available Roller Positions**



# Series V-N800

**To handle 1" I.D. hose.**

- Narrow frame and compact mounting base.
- Non-sparking ratchet assembly.
- Declutching arbor to prevent damage from reverse winding.
- #304 stainless steel internals.
- Standard inlet: 90° #304 stainless steel ball bearing swivel joint, 1" female NPT threads.
- Standard outlet: 1" female NPT threads.
- Standard pressures to 1000 psi (69 bar).
- Temperatures from -40° F to +400° F (-40° C to +204° C).
- 4-way roller assembly. SR and VR roller positions: swivel joint is standard on the right. TR roller positions: swivel joint is standard on the left. Other configurations available, must specify.



Optional TR configuration shown

**PARTS DRAWING – ISO 81**

Model Number	Hose Capacity of Reel feet m		Approx. Weight lb. kg		Standard Roller Assy.	Reel Dimensions*** in. mm							
	I.D. in. mm	1 25	NET	Freight SHIP Wt.		A	B	C	E	F	G	H	X
	O.D. in. mm	1-9/16 40				10	4	10.5	25.5	14.12	26	13.62	8
V-N816-25-26-10.5B		35 11	96 44	131 59	N204	10 254	4 102	10.5 267	25.5 648	14.12 359	26 660	13.62 346	8 203
V-N818-25-26-10.5B		50 15	102 46	137 62	N206	12 305	6 152	10.5 267	25.5 648	16.12 409	26 660	13.62 346	10 254

<p><b>Notes:</b></p> <p><b>A hose stop is necessary to keep spring from unwinding.</b></p> <ol style="list-style-type: none"> <li>1. Specifications subject to change.</li> <li>2. Reel models and capacities shown are for standard drag applications; for vertical lift applications, consult factory.</li> <li>3. Other sizes, from standard components, available on request.</li> <li>4. <b>Finish:</b> Refer to page 2.</li> <li>5. <b>Be sure to check dimensions and weights prior to ordering.</b></li> </ol> <p><b>NOTICE:</b> A flexible connector must be used between the inlet pipe and the inlet swivel joint.</p> <p>*** X, Y indicate mounting holes. See page 2.</p>											
--	--	--	--	--	--	--	--	--	--	--	--

<p><b>Available Roller Positions</b></p>	SR (STD)	VR (OPT)	TR (OPT)	TR (Wallmount)
--	----------	----------	----------	----------------

# Series V-800

**To handle 1" I.D. hose.**

- Rollformed channel frame construction.
- Non-sparking ratchet assembly.
- Declutching arbor to prevent damage from reverse winding.
- #304 stainless steel internals.
- Standard inlet: 90° #304 stainless steel ball bearing swivel joint, 1" female NPT threads.
- Standard outlet: 1" female NPT threads.
- Standard pressures to 1000 psi (69 bar).
- Temperatures from -40° F to +400° F (-40° C to +204° C).
- 4-way roller assembly. SR and VR roller positions: swivel joint is standard on the right. TR roller positions: swivel joint is standard on the left. Other configurations available, must specify.



Standard SR configuration shown

**PARTS DRAWING – ISO 42**

Model Number	Hose Capacity of Reel		Approx. Weight		Standard Roller Assy.	Reel Dimensions***									
	feet m		lb. kg			in. mm									
	I.D. in. mm	1 25	NET	SHIP		A	B	C	D	E	F	G	H	X	Y
V-816-25-26-10.5B	35	96			131	R204	9.25	4	10.5	26.25	26.12	14.75	25.88	13.5	4.5
	11	44	59	235	102		267	667	663	375	657	343	114	552	
V-818-25-26-10.5B	50	102	137	R206	11.25	6	10.5	26.25	26.12	16.75	25.88	13.5	6.5	21.75	
	15	46	62		286	152	267	667	663	425	657	343	165	552	
V-820-25-26-10.5A	75	131	166	R308	13.25	8	10.5	27	27	19.5	25.88	13.5	8.5	21.75	
	23	59	75		337	203	267	686	686	495	657	343	216	552	
V-820-30-31-10.5A	100	137	172	R308	13.25	8	10.5	30.5	30.5	19.5	31.38	17	8.5	25.25	
	30	62	78		337	203	267	775	775	495	797	432	216	641	

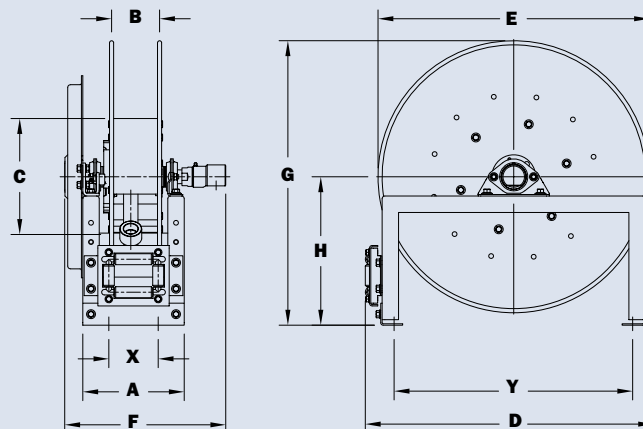
**Notes:**

**A hose stop is necessary to keep spring from unwinding.**

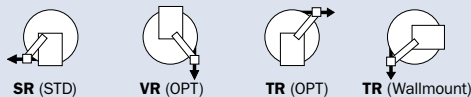
1. Specifications subject to change.
2. Reel models and capacities shown are for standard drag applications; for vertical lift applications, consult factory.
3. Other sizes, from standard components, available on request.
4. **Finish:** Refer to page 2.
5. **Be sure to check dimensions and weights prior to ordering.**

**NOTICE:** A flexible connector must be used between the inlet pipe and the inlet swivel joint.

\*\*\* X, Y indicate mounting holes. See page 2.



**Available Roller Positions**





# Series V-900

**To handle 1-1/4" or 1-1/2" I.D. hose.**

- Rollformed channel frame construction.
- Non-sparking ratchet assembly.
- Declutching arbor to prevent damage from reverse winding.
- Standard inlet, outlet riser and hub assembly are aluminum for jet fuels.
- Standard inlet: 90° swivel joint, 1-1/2" female NPT threads, and 2" Victaulic® groove.
- Standard outlet: 1-1/2" female NPT threads.
- Consult factory for other sizes and/or threads.
- Standard pressures to 600 psi (41 bar).
- Temperatures from -20° F to +400° F (-29° C to +204° C).
- Consult factory for other pressures and temperatures.
- 4-way roller assembly. SR and VR roller positions: swivel joint is standard on the right. TR roller positions: swivel joint is standard on the left. Other configurations available, must specify.



Standard SR configuration shown

**PARTS DRAWING – ISO 29**

Model Number	Hose Capacity of Reel feet m			Approx. Weight lb. kg		Standard Roller Assy.	Reel Dimensions*** in. mm								
	I.D. in. mm	1-1/4 32	1-1/2 38	NET	SHIP		A	B	D	E	F	G	H	X	Y
	O.D. in. mm	1-13/16 46	2-1/16 52				15.25	10	25.25	22.75	24	23.88	12.5	10.5	20
V-922-23-24-10.5B		40	25	104	139	R310	387	254	641	578	610	607	318	267	508
V-920-25-26-10.5A		50	40	127	162	R308	337	203	686	629	578	657	343	216	552
V-922-30-31-10.5A		75	50	156	191	R310	387	254	775	730	629	797	432	267	641

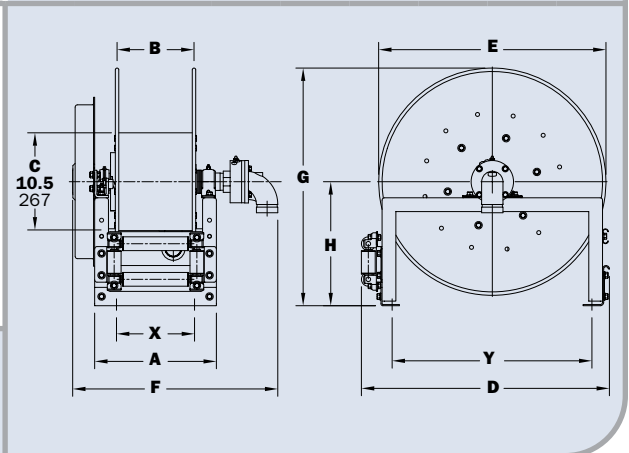
**Notes:**

**A hose stop is necessary to keep spring from unwinding.**

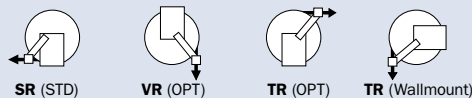
1. Specifications subject to change.
2. Reel models and capacities shown are for standard drag applications; for vertical lift applications, consult factory.
3. Other sizes, from standard components, available on request.
4. **Finish:** Refer to page 2.
5. **Be sure to check dimensions and weights prior to ordering.**

**NOTICE:** A flexible connector must be used between the inlet pipe and the inlet swivel joint.

\*\*\* X, Y indicate mounting holes. See page 2.



**Available Roller Positions**



# Static Grounding Reels

• Aircraft Refueling

## WARNING

These reels are for static grounding ONLY.  
NOT intended for lightning protection!

### For refueling or hazardous areas.

- These reels bond and/or ground aircraft, fuel trucks, and other equipment.
- Provide smooth operation and require minimum cable pull.
- Declutching arbor and adjustable guide arm with cable guide.
- Optional stainless steel construction of spool, frame, and ratchet system available on HGR Series.
- Standard finish is oven-cured enamel.
- Also available, manual rewind version.



**Model HGR50**  
(Shown with optional "Y" branch)



**Model SSHGR50**  
(Optional unpolished stainless steel HGR50)



**Model MHGR50**



**Model HGR100**



**Model MHGR100**



**Model GR75**

**Model MGR75**

All reels shown with optional pcc cable and clamp.

# Series **GR/HGR**

- Available with 1/8", 7 x 19 galvanized carbon steel cable.
- 100 amp Alligator clamp.
- Stainless steel or plastic-covered cable and "Y" branches are available at an additional charge.
- Cable guide arm of cast aluminum and ZA-12 aluminum zinc alloy.

### Series **GR75**

- Sealed spring is a good economical choice that's compact and lightweight.

### Series **HGR**

- A non-sparking ratchet assembly.
- Reels are repairable and parts are readily available.
- Supplied with 18" long grounding strap with eyelet connectors on both ends.

### Parts Drawings: HGR Series – ISO 10 and MHGR Series – ISO 234

Model Number	Cable Capacity of Reel feet m	Approx. Weight lb. kg		Reel Dimensions*** in. mm									
		Without Cable	With Cable	A	B	C	D	E	F	G	H	X	Y
<b>GR75</b>	<b>75</b>	<b>11</b>	<b>14*</b>	<b>2</b>	<b>2</b>	<b>7</b>	<b>9</b>	<b>9.25</b>	<b>3.5</b>	<b>9.88</b>	<b>5.06</b>	<b>1</b>	<b>7.88</b>
	23	5	6	51	51	178	229	235	89	251	129	25	200
† <b>MGR75</b>	<b>75†</b>	<b>11</b>	<b>13*</b>	<b>2</b>	<b>2</b>	<b>7</b>	<b>9</b>	<b>9.25</b>	<b>5.25</b>	<b>9.88</b>	<b>5.06</b>	<b>1</b>	<b>7.88</b>
	23†	5	6	51	51	178	229	235	133	251	129	25	200
<b>HGR50</b>	<b>75</b>	<b>28</b>	<b>30*</b>	<b>4</b>	<b>1.25</b>	<b>10.75</b>	<b>11.5</b>	<b>14.25</b>	<b>5.5</b>	<b>16.75</b>	<b>8.88</b>	<b>2.38</b>	<b>7.5</b>
	23	13	14	102	32	273	292	362	159	425	226	60	191
† <b>MHGR50</b>	<b>125†</b>	<b>19</b>	<b>23*</b>	<b>4</b>	<b>1.25</b>	<b>10.75</b>	<b>11.5</b>	<b>14.25</b>	<b>6.25</b>	<b>16.75</b>	<b>8.88</b>	<b>2.38</b>	<b>7.5</b>
	38†	9	10	102	32	273	292	362	159	425	226	60	191
<b>HGR100</b>	<b>100</b>	<b>37</b>	<b>41*</b>	<b>4</b>	<b>1.25</b>	<b>13.25</b>	<b>11.5</b>	<b>16.75</b>	<b>5.5</b>	<b>17.75</b>	<b>8.88</b>	<b>2.38</b>	<b>7.5</b>
	30	17	19	102	32	337	292	425	140	451	226	60	191
† <b>MHGR100</b>	<b>175†</b>	<b>25</b>	<b>31*</b>	<b>4</b>	<b>1.25</b>	<b>13.25</b>	<b>11.5</b>	<b>16.75</b>	<b>6.25</b>	<b>17.75</b>	<b>8.88</b>	<b>2.38</b>	<b>7.5</b>
	53†	11	14	102	32	337	292	425	159	451	226	60	191

**Optional GTP Gator® Clamp**  
(GTP-9654)  
Part No. 9951.0032



**Optional Browne Clamp**  
(ALS-10)  
Part No. 9951.0031

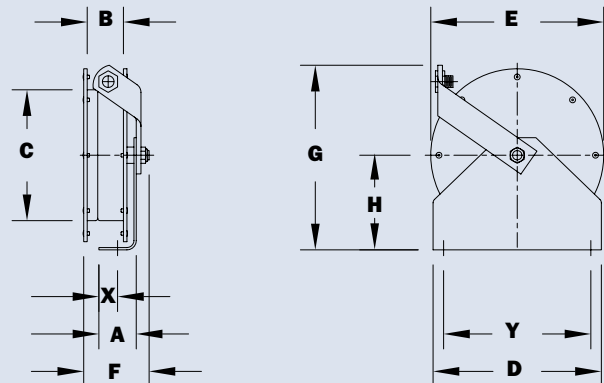


**Optional Grounding Jack**  
per MIL-C-8341D/4  
Part No. 9951.0033

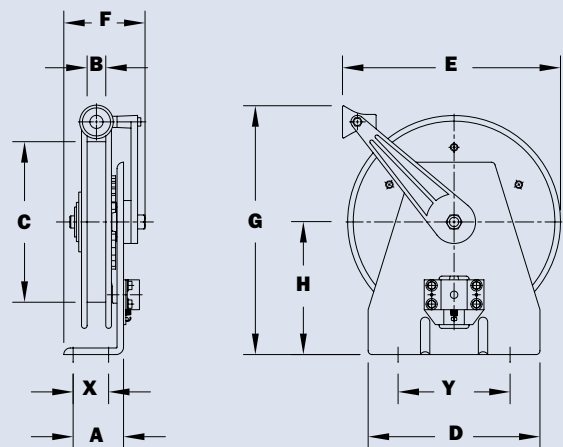


**Notes:**

1. Specifications subject to change.
  2. When ordering, specify model number, gauge, O.D., length, and coating if required.
  3. Specify "Y" branch if required.
  4. **Finish:** Refer to page 2.
- \*Reels can be shipped as a parcel package (via FedEx or UPS Ground).  
\*\*\* X, Y indicate mounting holes. See page 2.  
† Capacities shown are for PCC (plastic coated cable). Capacities may be higher for uncoated cable; consult factory.



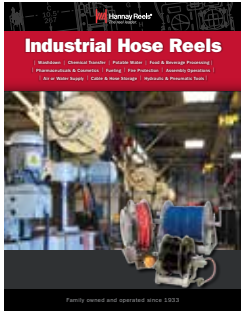
Model GR75/MGR75 – GR75 shown



Model HGR50/HGR100/MHGR50 – HGR shown

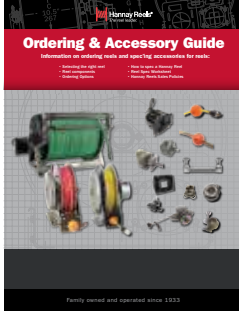
# Find reels for every need.

Learn more about all of our reels, including specs, drawings, and even how to select the right reels and accessories for your industry.



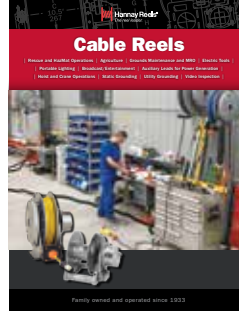
## Industrial Hose Reels

- High pressure/low pressure reels
- Air/Lube/Grease reels
- Fueling
- Washdown/Power Wash
- Industrial Fire Protection
- Hydraulic/Pneumatic applications
- Hose storage



## Ordering & Accessory Guide

- Selecting the right reel
- Reel components
- Available accessories
- How to spec and order reels and accessories
- Ordering options
- Hannay Reels policies



## Cable Reels

- Electric Tools
- Crane operations
- Portable Lighting
- Live and storage reels
- Video/Broadcast
- Static and Utility grounding reels



## Spray and Pressure Washing Hose Reels

- Washdown/Power Wash
- Pest Control/Fertilizers
- Air/Water/Grease
- Steam Cleaning
- Spray operations
- Portable hose reels



## Welding Reels

- Mobile and fixed installations
- Arc welding
- Gas welding
- Cutting operations

View all our reel catalogs online at [hannay.com](http://hannay.com)



Family owned and operated since 1933, Hannay Reels is the world leader in both OEM and aftermarket applications. Hannay offers thousands of standard hose reel and cable reel models, as well as unmatched custom capabilities. We can easily and affordably customize a reel to meet your exact specifications – built to last, delivered fast. Additional catalogs are available through your local Hannay Reels dealer or online at [hannay.com](http://hannay.com).



553 State Route 143 | Westerlo, New York 12193  
Email: [reels@hannay.com](mailto:reels@hannay.com) | [hannay.com](http://hannay.com)



All Hannay reels are constructed of quality heavy gauge steel (optional aluminum or stainless steel also available on most models).

